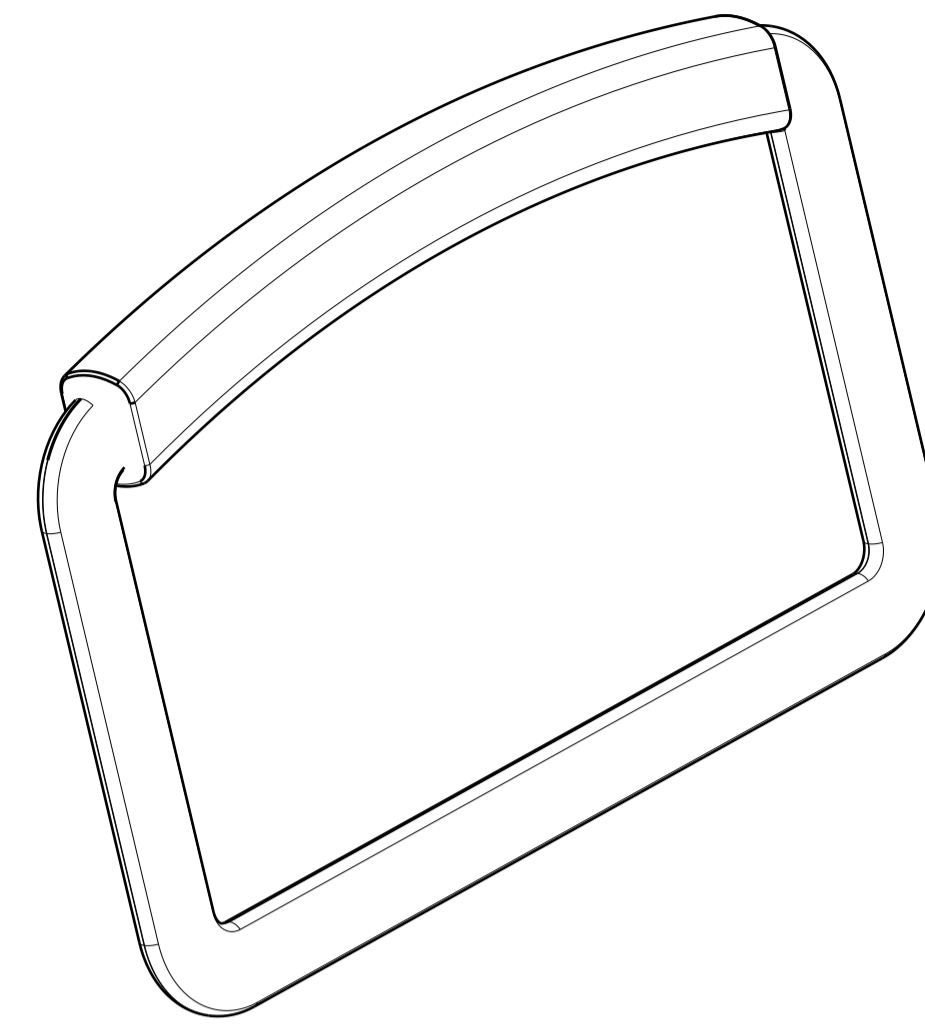
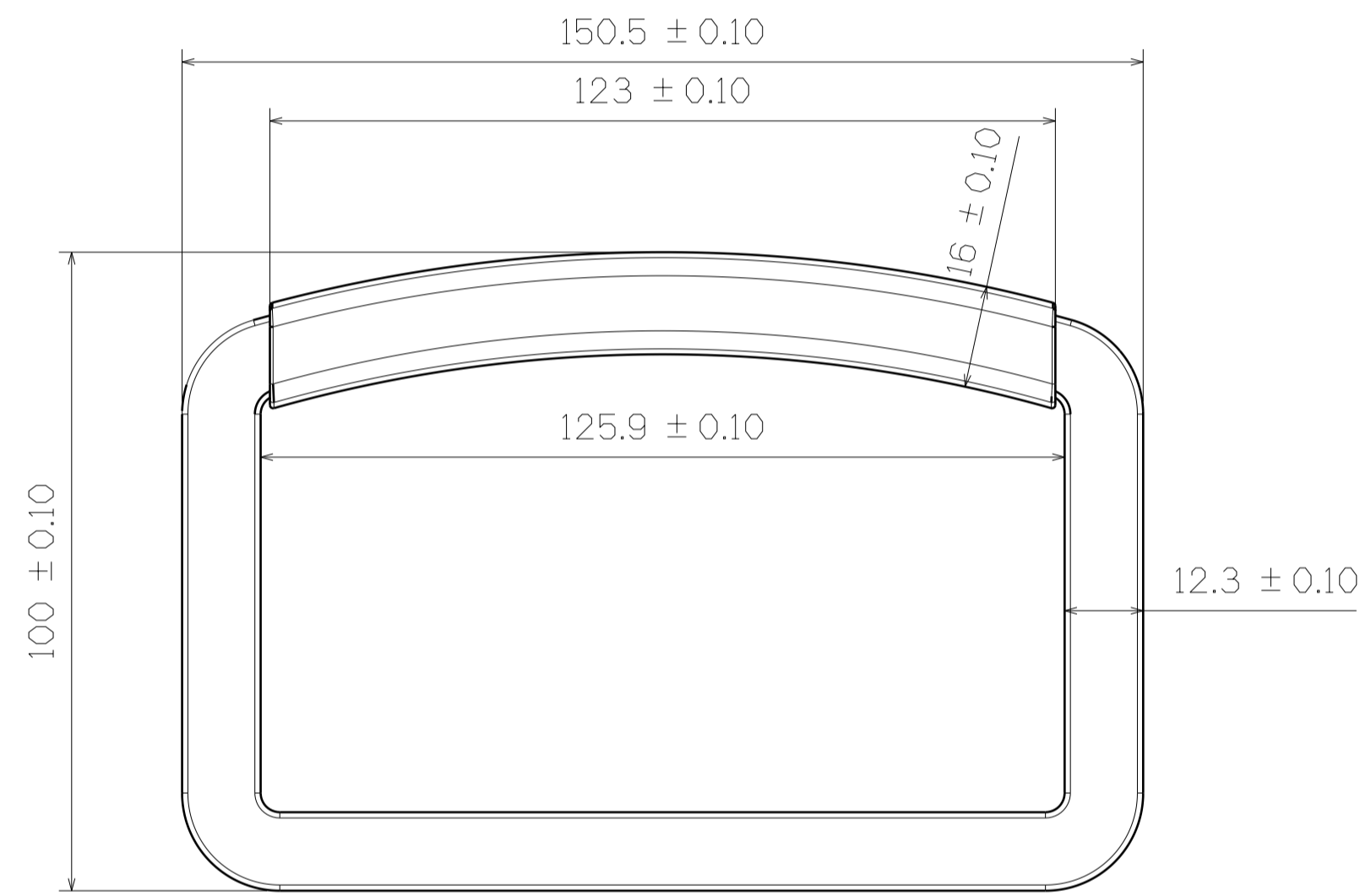


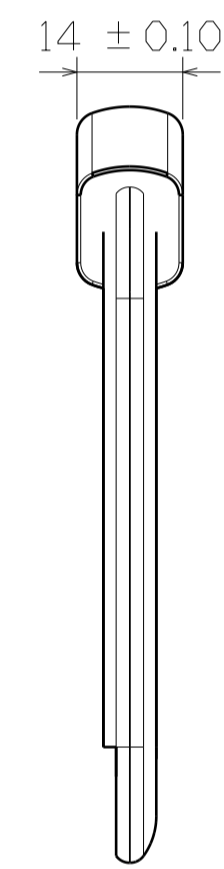
TOP VIEW



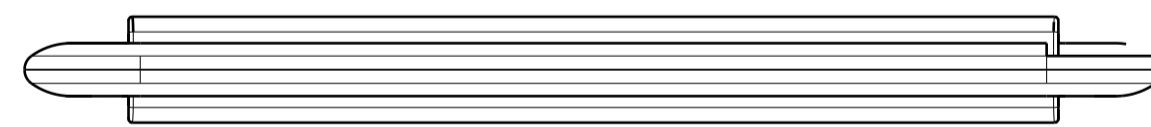
3D VIEW




SF835



LEFT VIEW



BOTTOM VIEW

This drawing is our property. It can't be reproduced or communicated without our written agreement.		 SHIN FANG PLASTIC INDUSTRIAL CO., LTD.	
DRAWING TITLE		PLASTIC HANDLE	
DRAWN BY	DATE	SIZE	DRAWING NUMBER
DANIEL CHEN	2010/12/5	A1	SF835
CHECKED BY	DATE	SCALE	REV
JIMMY CHEN	2010/12/6	1:1	X
DESIGNED BY	DATE	MATL.	SHEET
RD	2010/12	NYLON+TPR	1/1