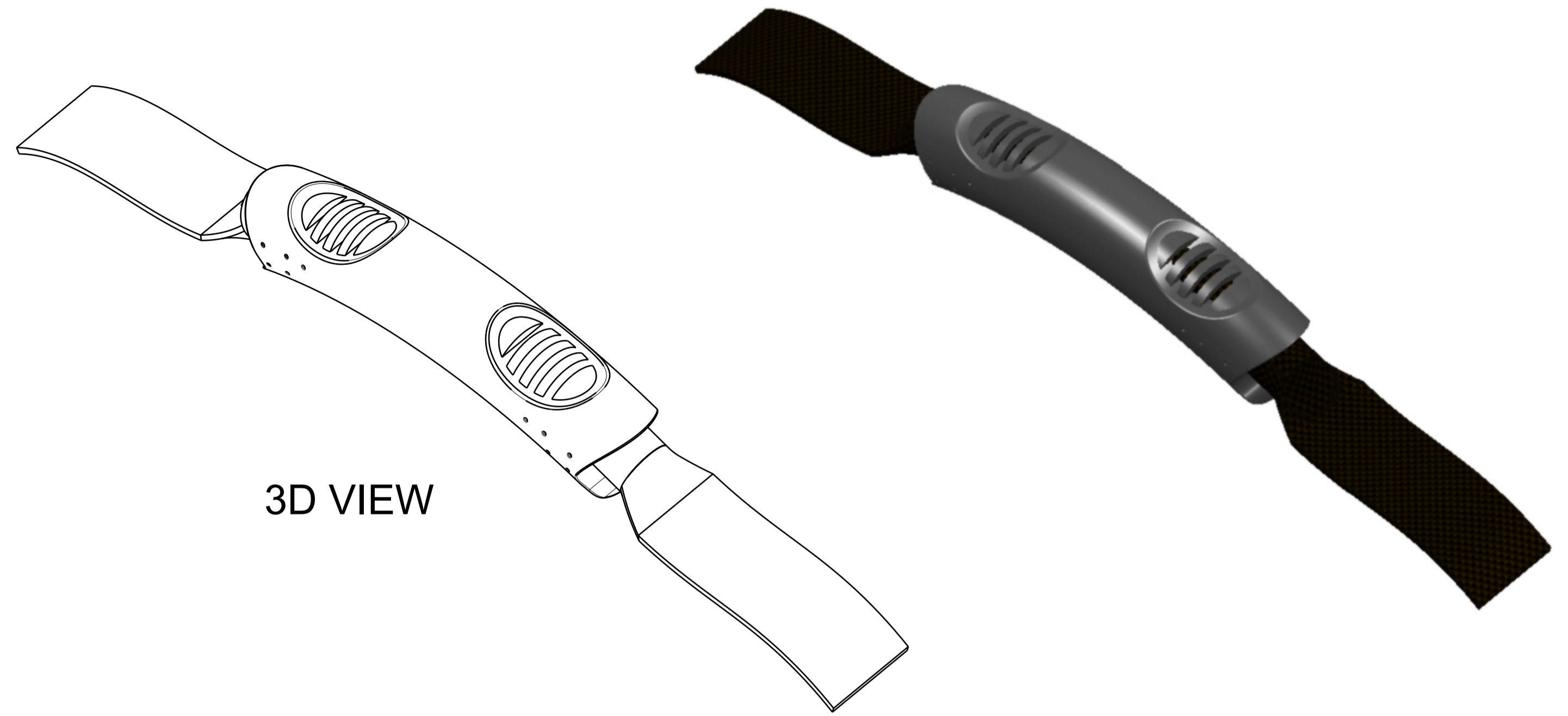
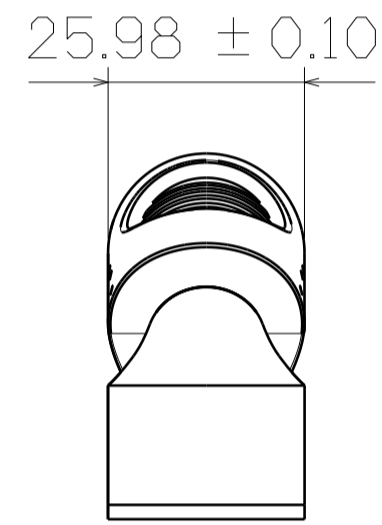


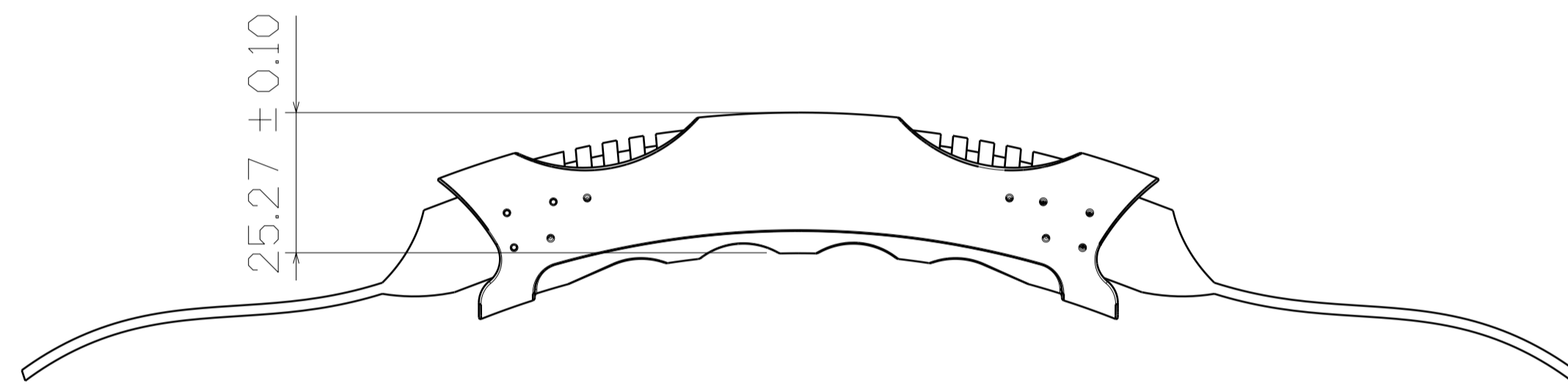
TOP VIEW



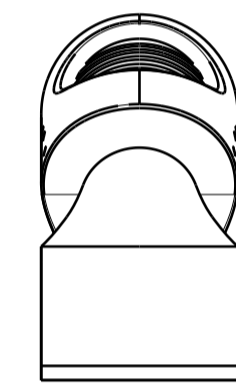
3D VIEW



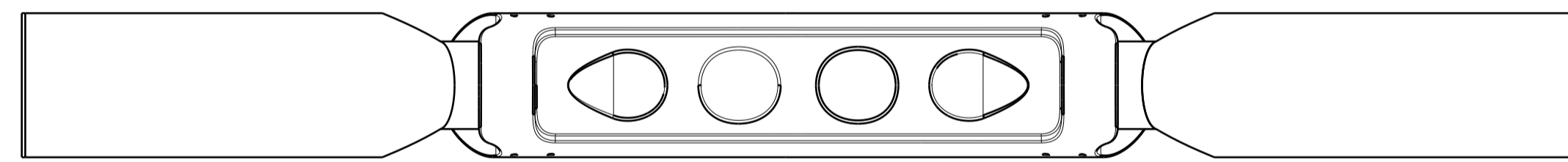
RIGHT VIEW



SF833




LEFT VIEW



BOTTOM VIEW



This drawing is our property. It can't be reproduced or communicated without our written agreement.					
DRAWN BY		DATE		DRAWING TITLE	
DANIEL CHEN		2010/9/5		WEBBING HANDLE	
CHECKED BY		DATE		SIZE	DRAWING NUMBER
JIMMY CHEN		2010/9/6		A1	SF833
DESIGNED BY		DATE		SCALE	MATERIAL
RD		2010/9		1:1	PVC
				SHEET	1/1