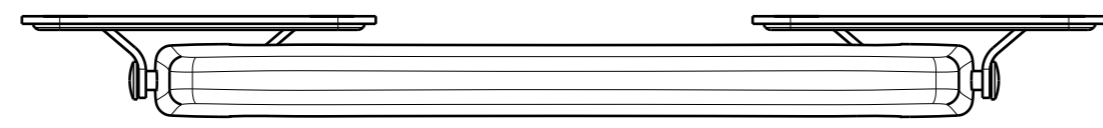
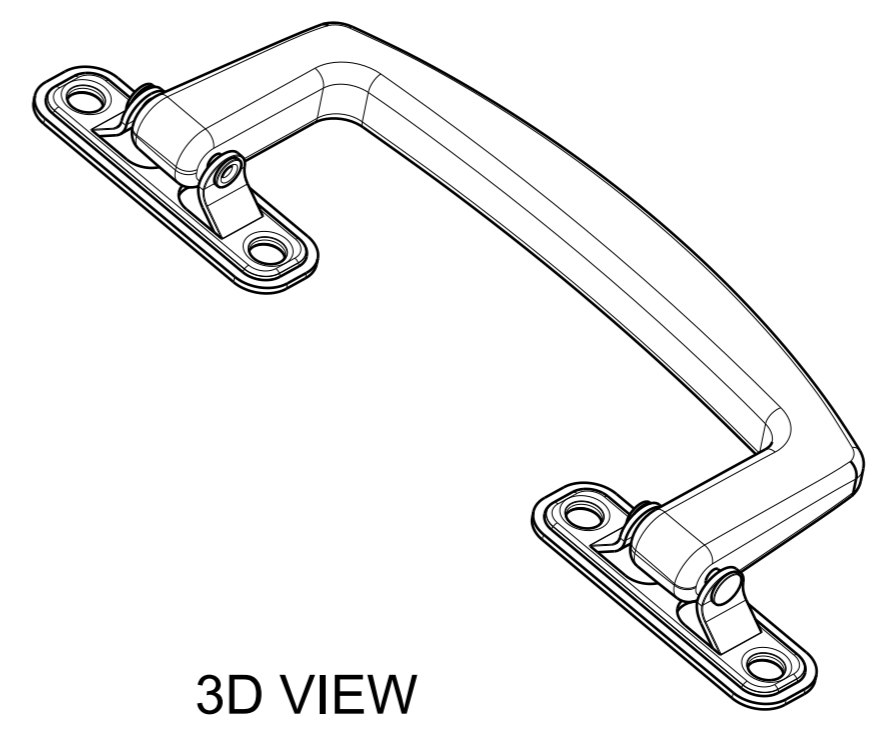


H G F E D C B A

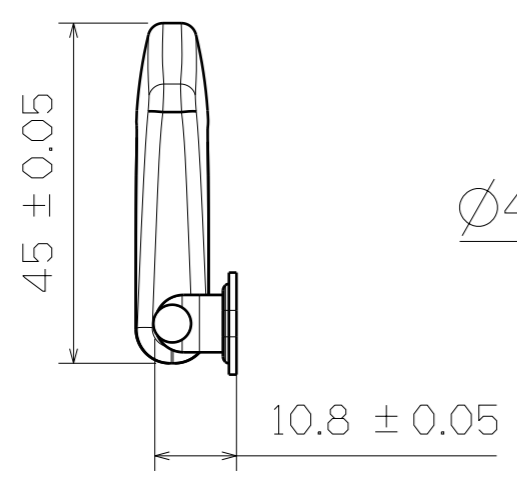
8 7 6 5 4 3 2 1



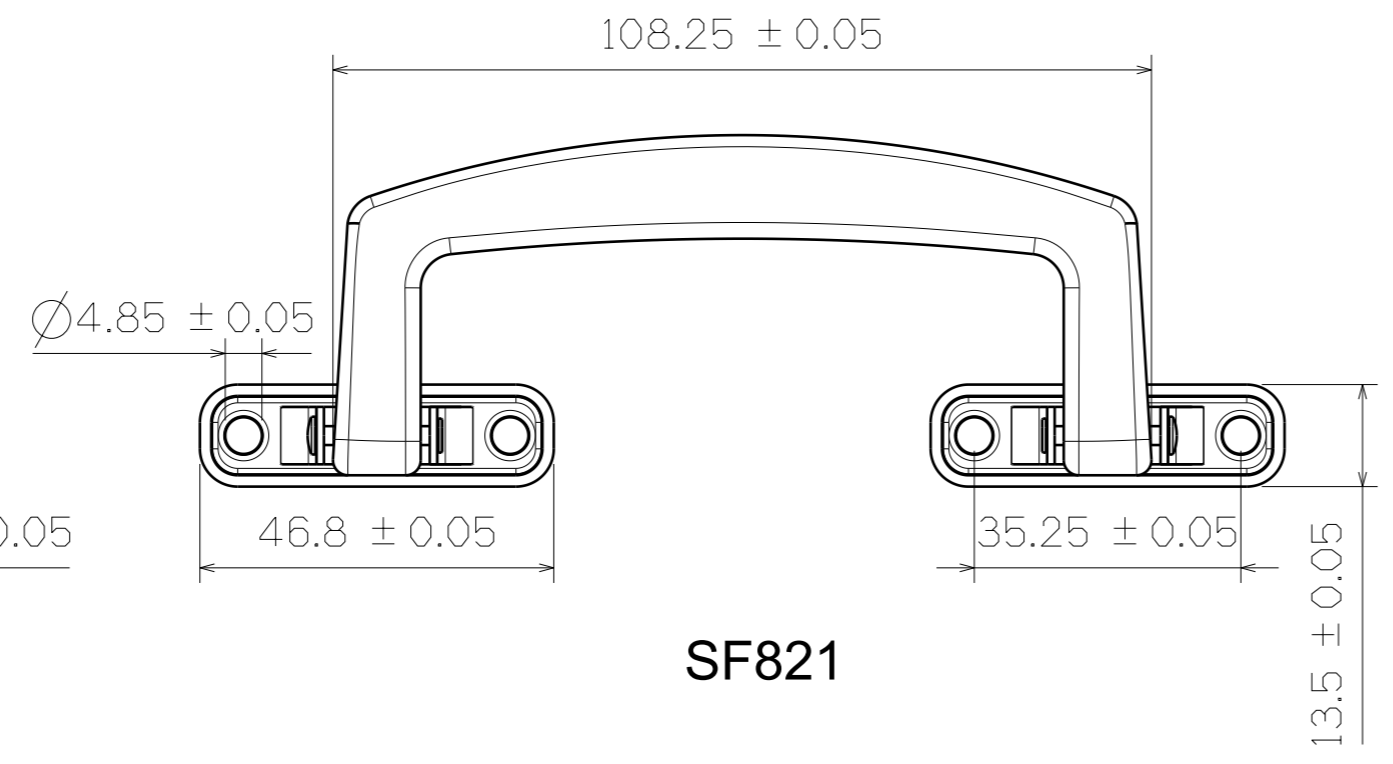
TOP VIEW



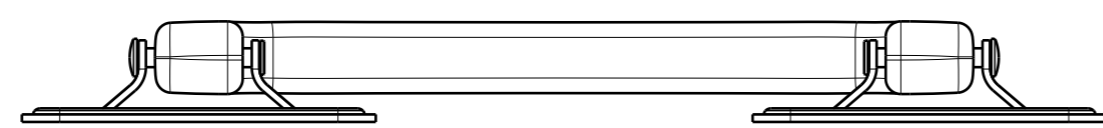
3D VIEW



RIGHT VIEW



SF821



BOTTOM VIEW



This drawing is our property.  
It can't be reproduced  
or communicated without  
our written agreement.



DRAWN BY <b>DANIEL CHEN</b>		DATE 2001/8/5	DRAWING TITLE <b>HANDLE</b>		
CHECKED BY <b>JIMMY CHEN</b>		DATE 2001/8/8	SIZE <b>A2</b>	DRAWING NUMBER <b>SF821</b>	REV <b>X</b>
DESIGNED BY <b>RD</b>		DATE 2001/8	SCALE <b>1:1</b>	MATERIAL <b>PP</b>	SHEET <b>1/1</b>

H G F E D C B A