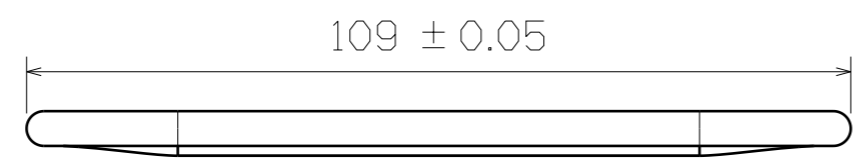
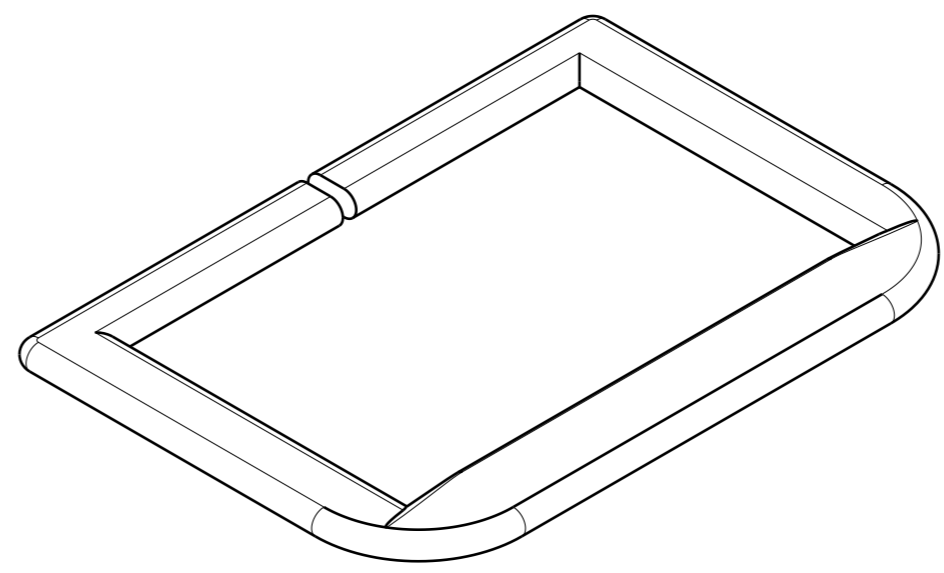


H G F E D C B A

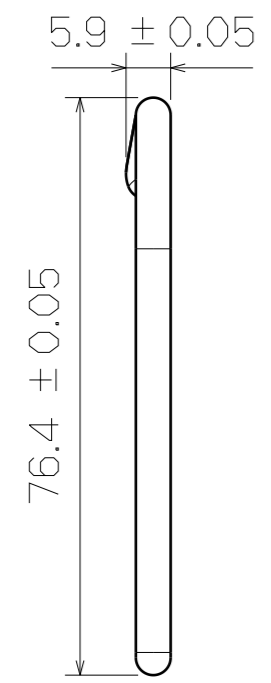
8 7 6 5 4 3 2 1



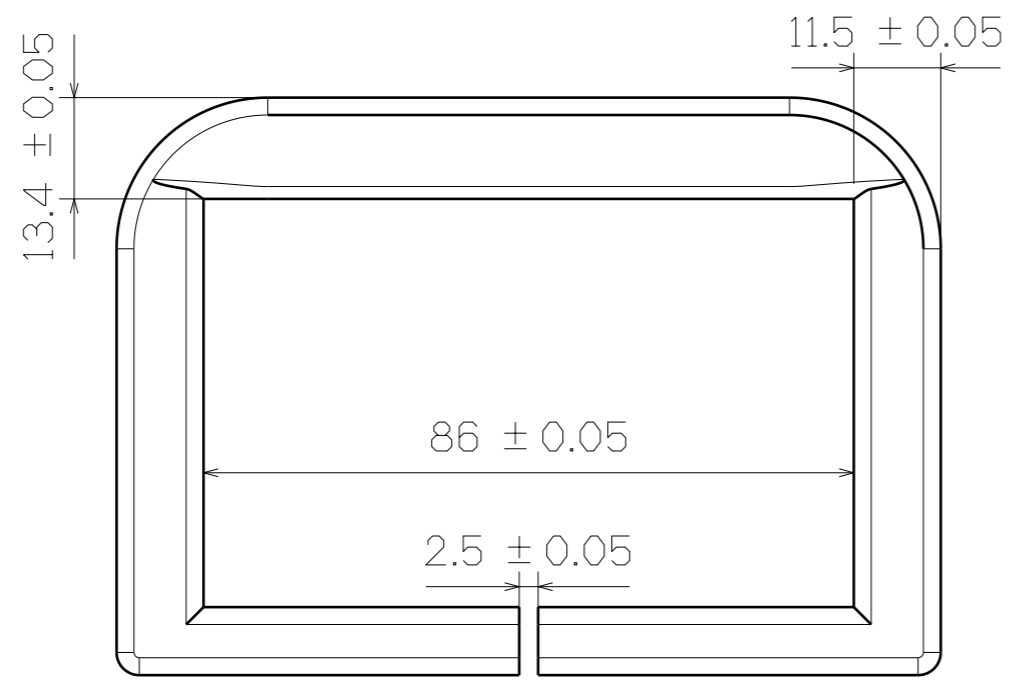
TOP VIEW



3D VIEW



RIGHT VIEW



SF819



BOTTOM VIEW



This drawing is our property. It can't be reproduced or communicated without our written agreement.					
DRAWN BY		DATE		DRAWING TITLE	
DANIEL CHEN		2001/8/5		HANDLE	
CHECKED BY		DATE		SIZE	DRAWING NUMBER
JIMMY CHEN		2001/8/10		A2	SF819
DESIGNED BY		DATE		SCALE	MATERIAL
RD		2001/8		1:1	PP
				SHEET	1/1

H G B A