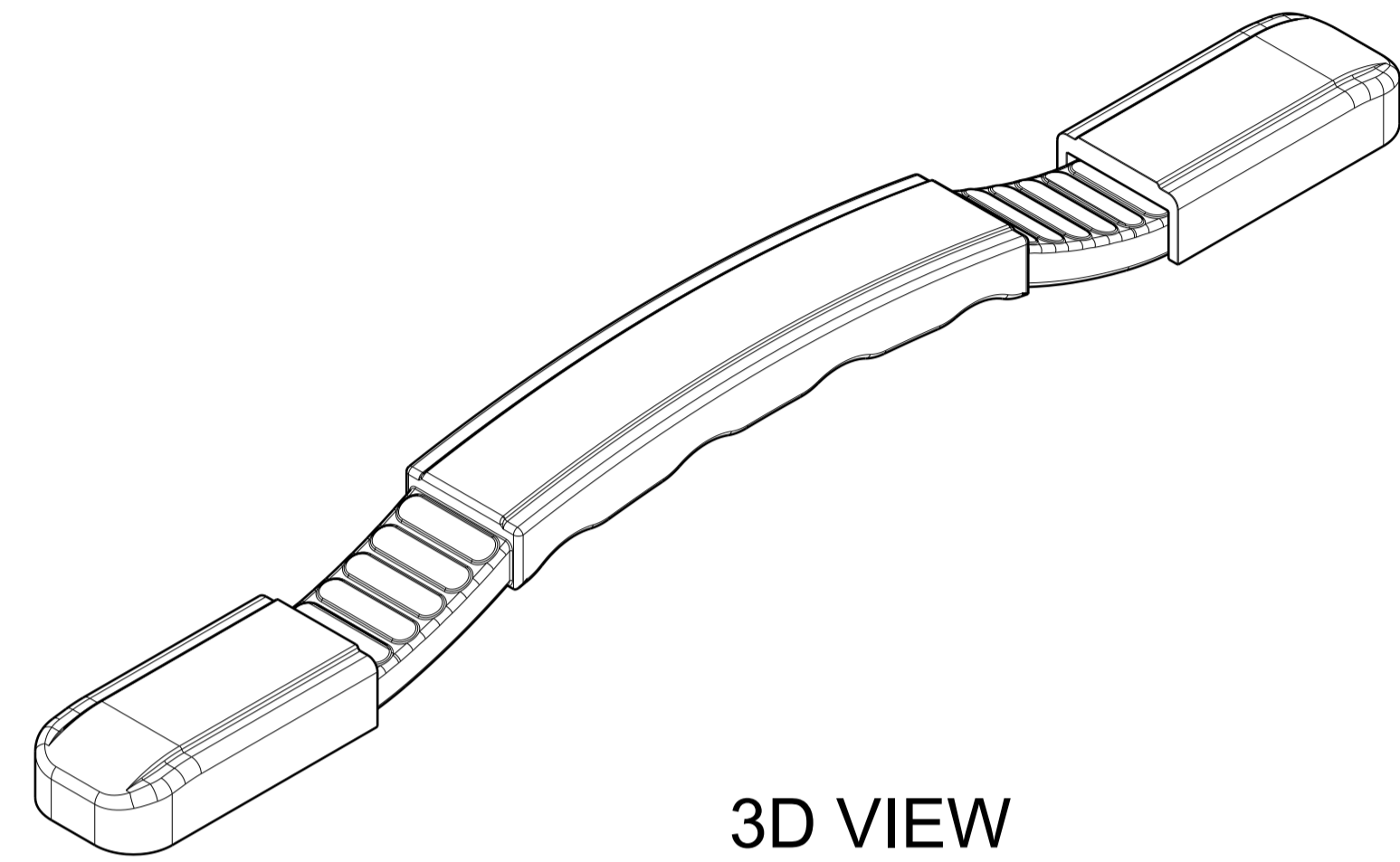
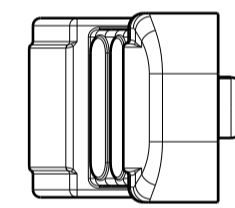


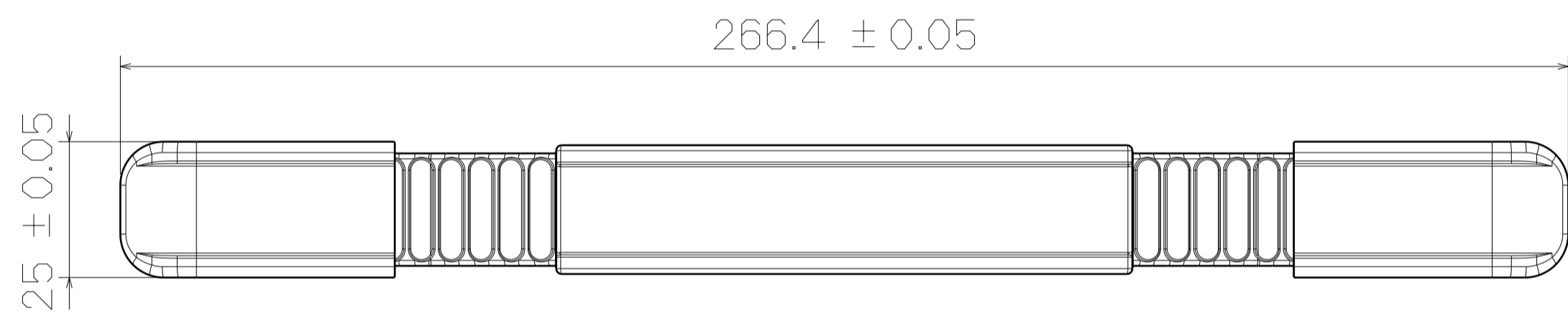
TOP VIEW



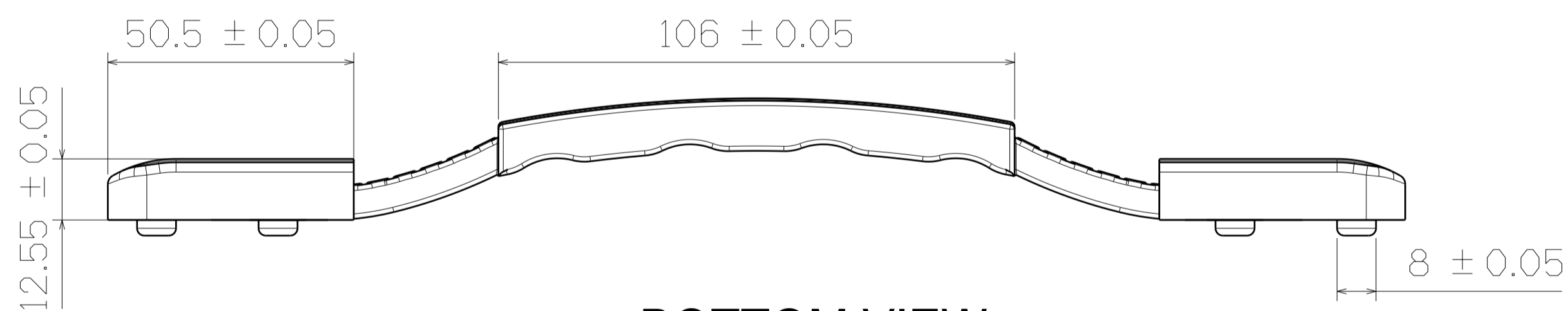
3D VIEW



RIGHT VIEW




SF816



BOTTOM VIEW



This drawing is our property. It can't be reproduced or communicated without our written agreement.					
DRAWN BY DANIEL CHEN		DATE 2001/8/5		DRAWING TITLE HANDLE	
CHECKED BY JIMMY CHEN		DATE 2001/8/8		SIZE A1	DRAWING NUMBER SF816
DESIGNED BY RD		DATE 2001/8		SCALE 1:1	MATL. PVC & NYLON
				SHEET 1/1	REV X