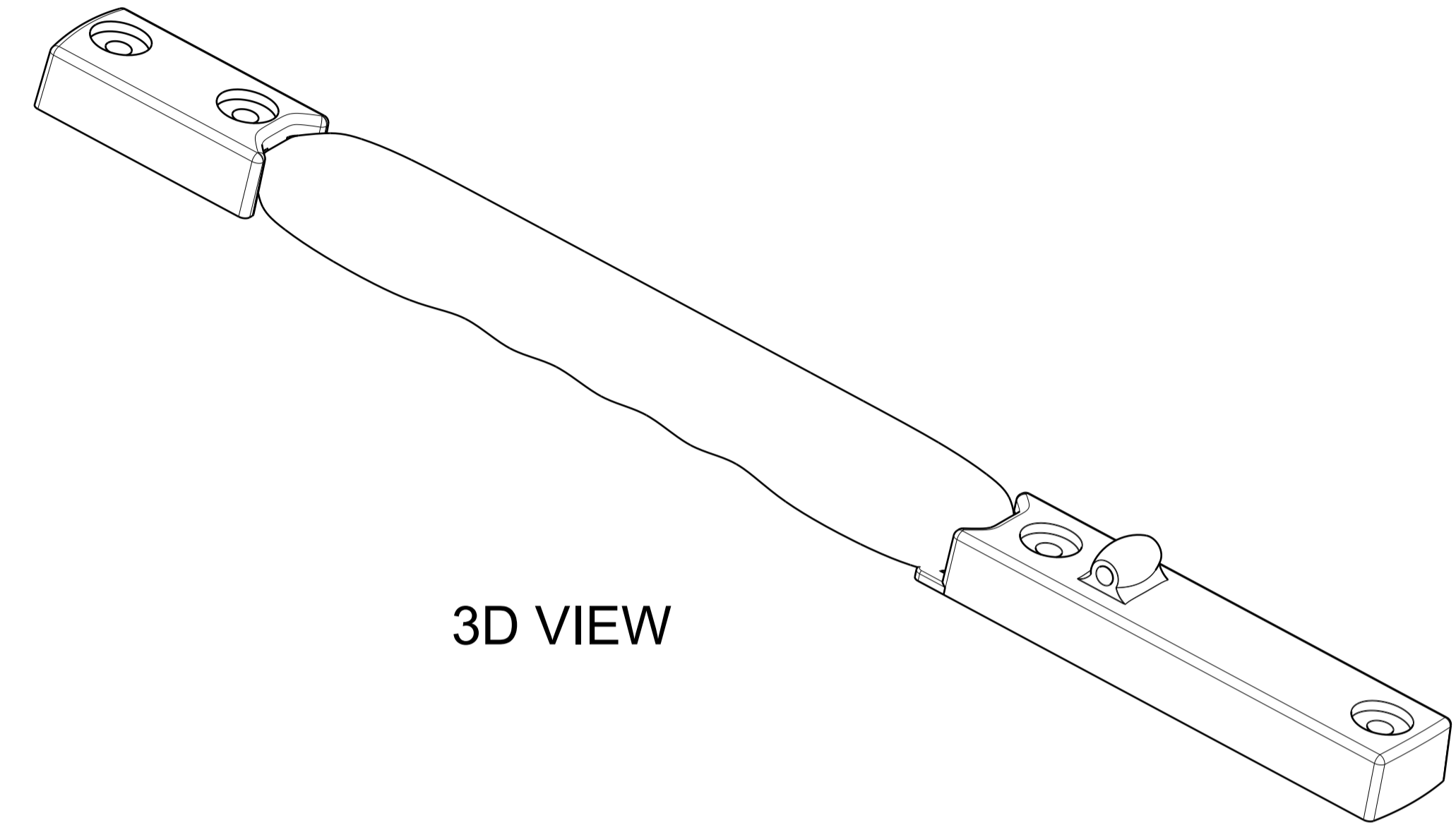
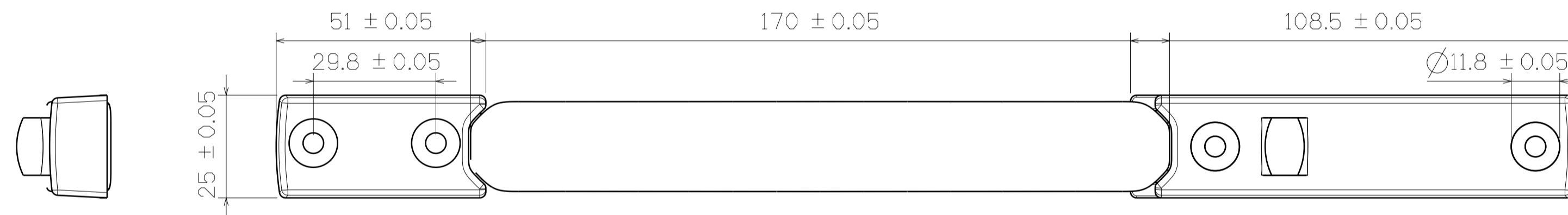


TOP VIEW

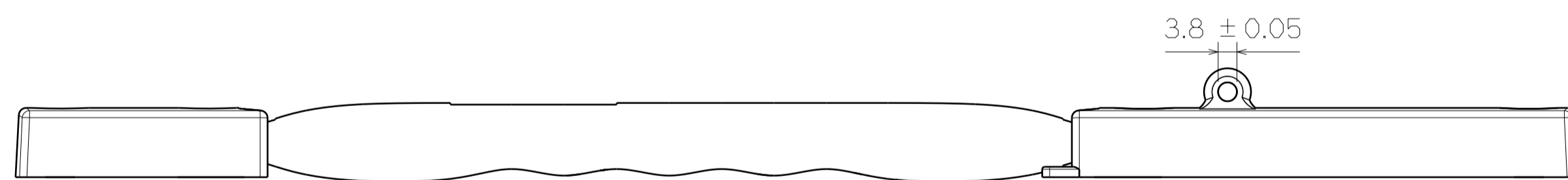


3D VIEW




RIGHT VIEW

SF815-2



BOTTOM VIEW



This drawing is our property. It can't be reproduced or communicated without our written agreement.					
DRAWN BY		DATE		DRAWING TITLE	
DANIEL CHEN		2001/8/5		HANDLE	
CHECKED BY		DATE		SIZE	DRAWING NUMBER
JIMMY CHEN		2001/8/8		A1	SF815-2
DESIGNED BY		DATE		SCALE	MATERIAL
RD		2001/8		1:1	PP
				SHEET	1/1