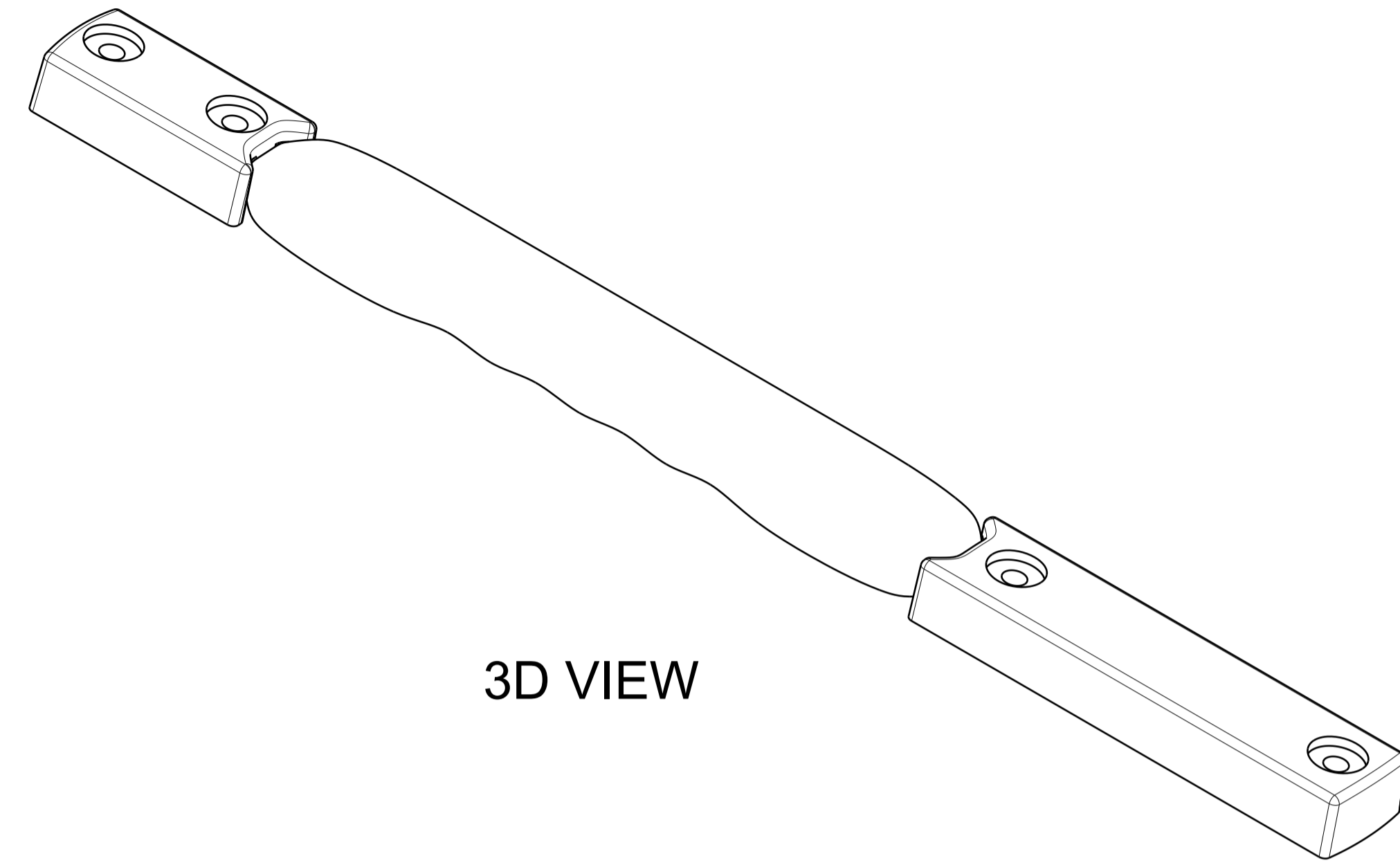
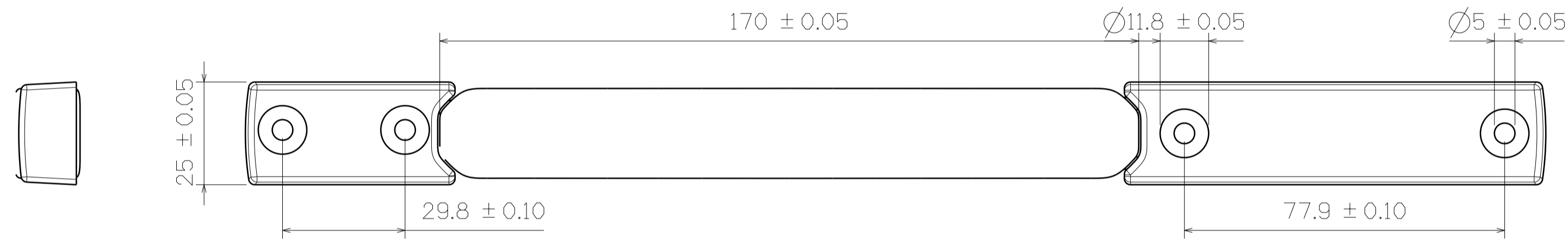


TOP VIEW

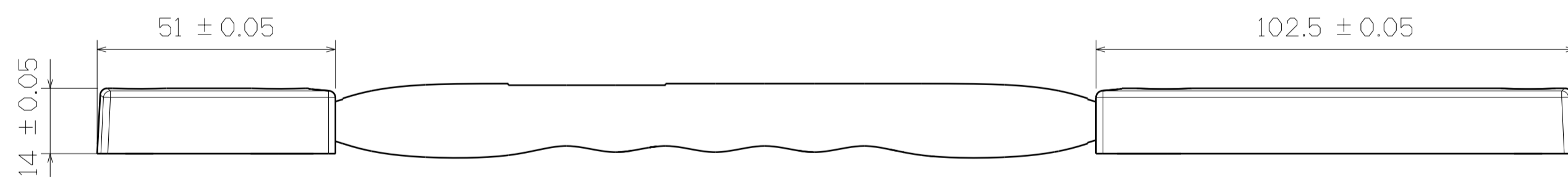


3D VIEW



RIGHT VIEW

SF815-1



BOTTOM VIEW



This drawing is our property. It can't be reproduced or communicated without our written agreement.		SHIN FANG PLASTIC INDUSTRIAL CO., LTD.			
DRAWN BY		DATE		DRAWING TITLE	
DANIEL CHEN		2001/8/5		HANDLE	
CHECKED BY		DATE		SIZE	DRAWING NUMBER
JIMMY CHEN		2001/8/8		A1	SF815-1
DESIGNED BY		DATE		SCALE	MATERIAL
RD		2001/8		1:1	PP
				SHEET	1/1

