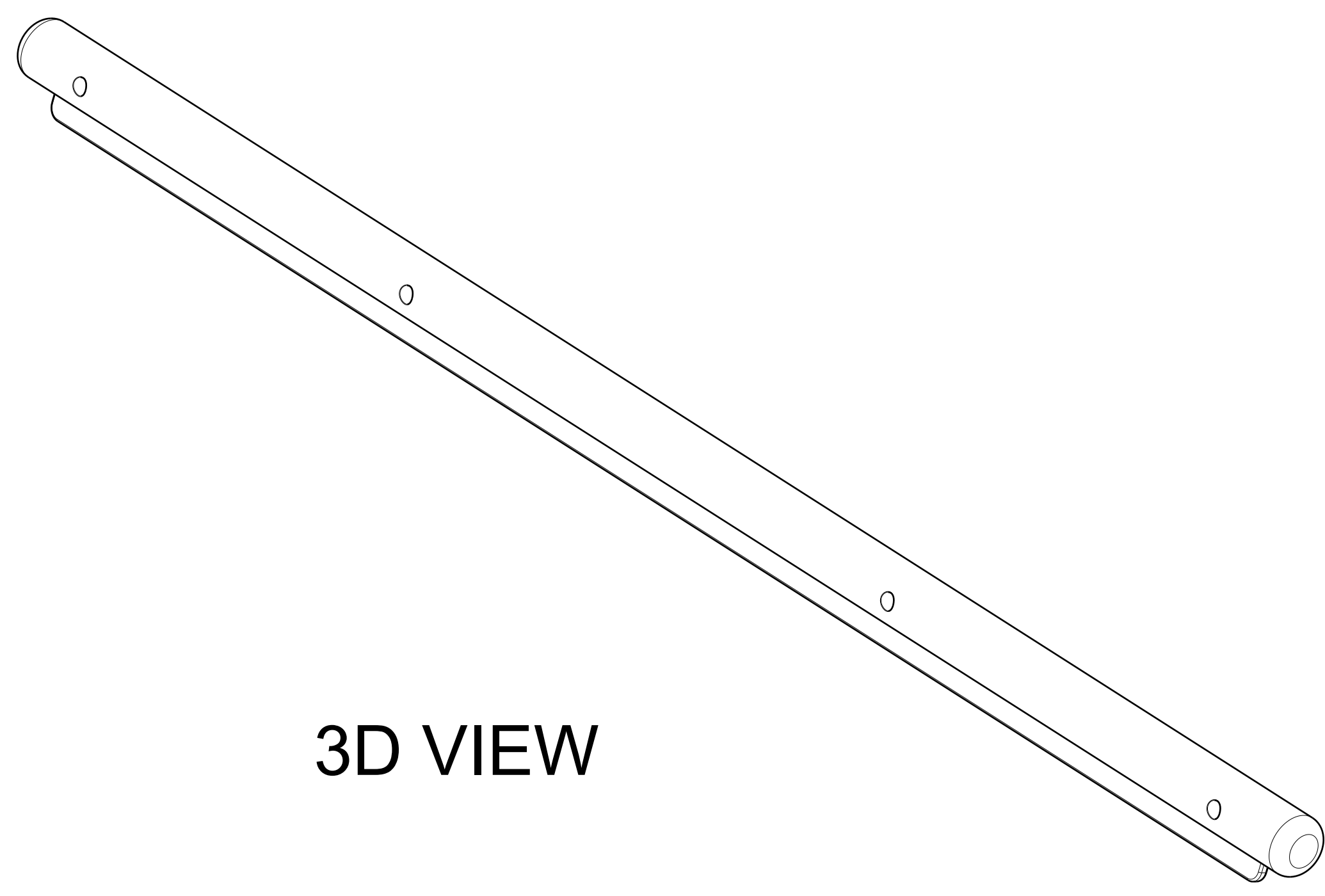
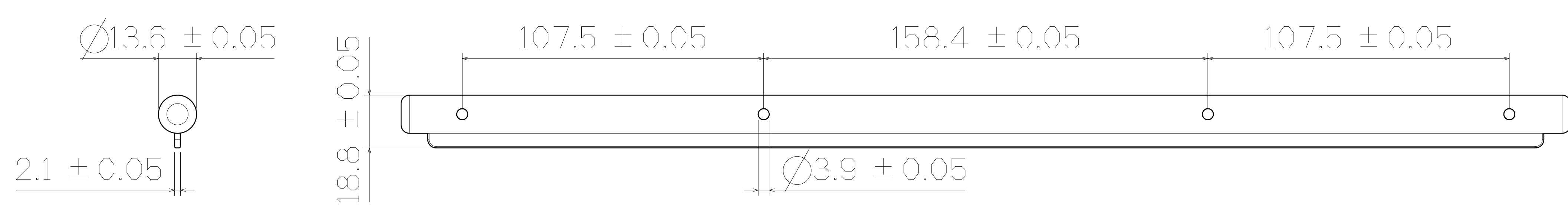


TOP VIEW

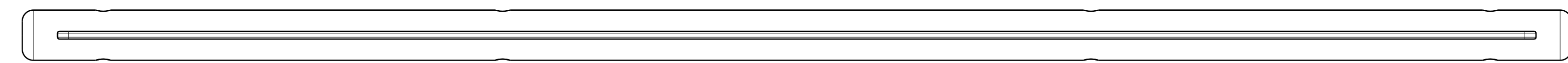


3D VIEW



RIGHT VIEW

SF814



BOTTOM VIEW

<small>This drawing is our property. It can't be reproduced or communicated without our written agreement.</small>			
DRAWING TITLE		HANDLE SEAT	
DRAWN BY	DATE	SIZE	DRAWING NUMBER
DANIEL CHEN	2001/9/4	A0	SF814
CHECKED BY	DATE	SCALE	MATERIAL
JIMMY CHEN	2001/9/8	1:1	ABS
DESIGNED BY	DATE	SHEET	1/1
RD	2001/9		