

H

G

F

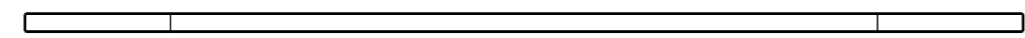
E

D

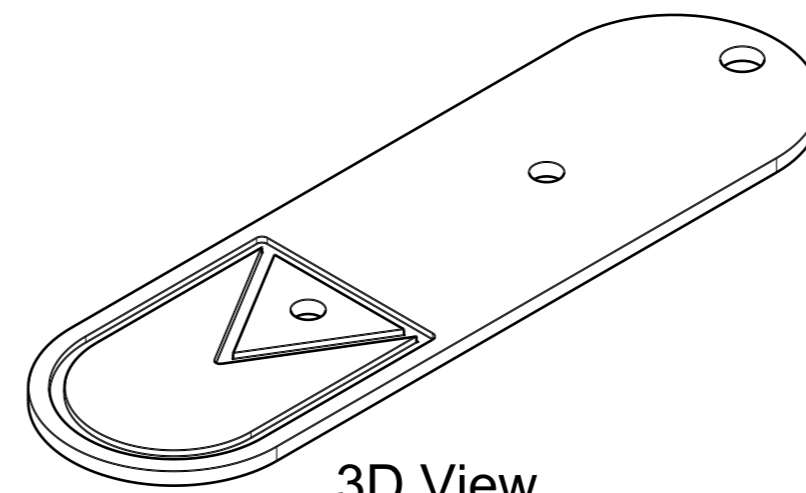
C

B

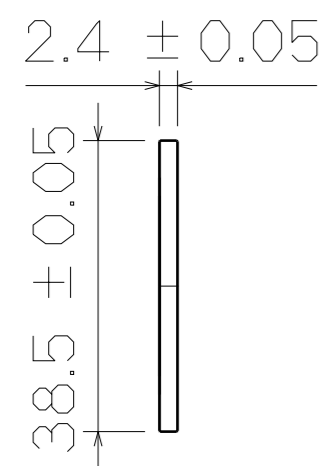
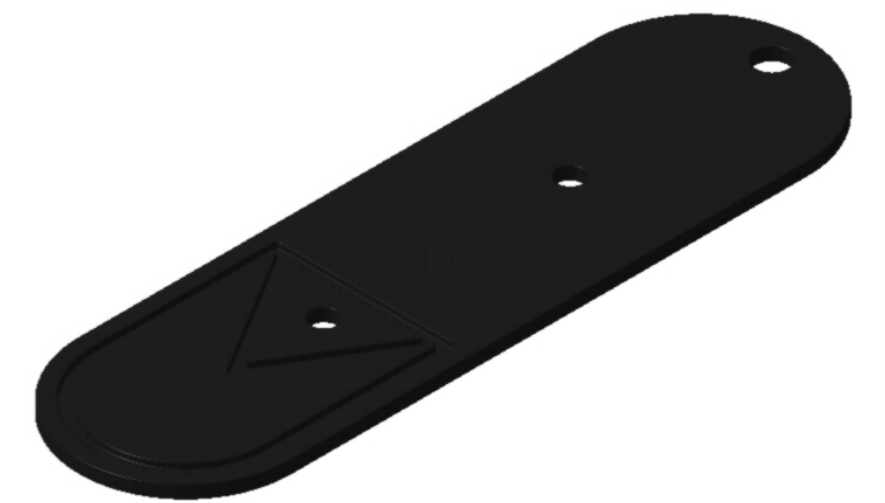
A



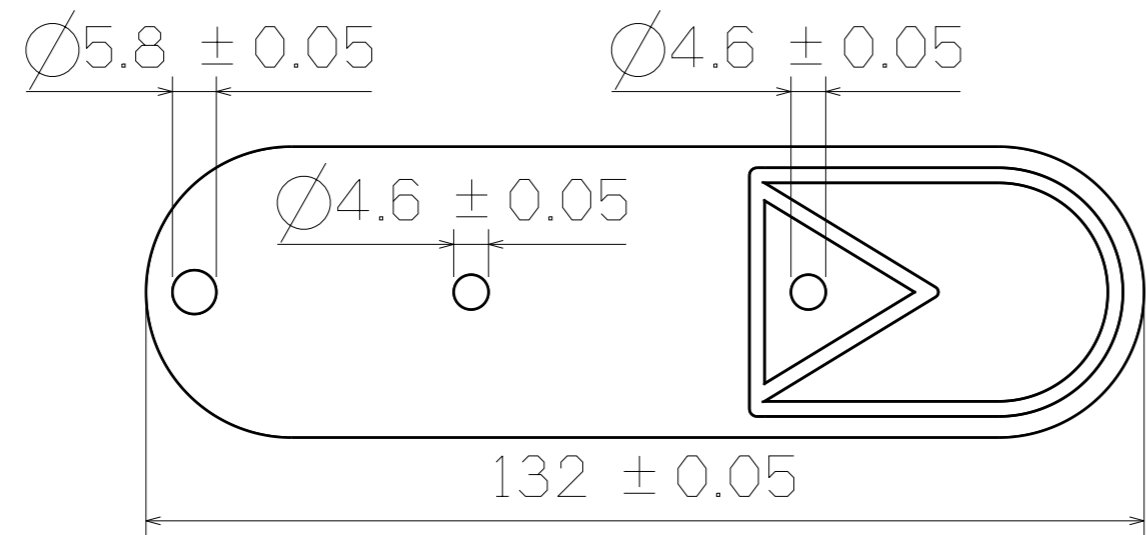
Top View



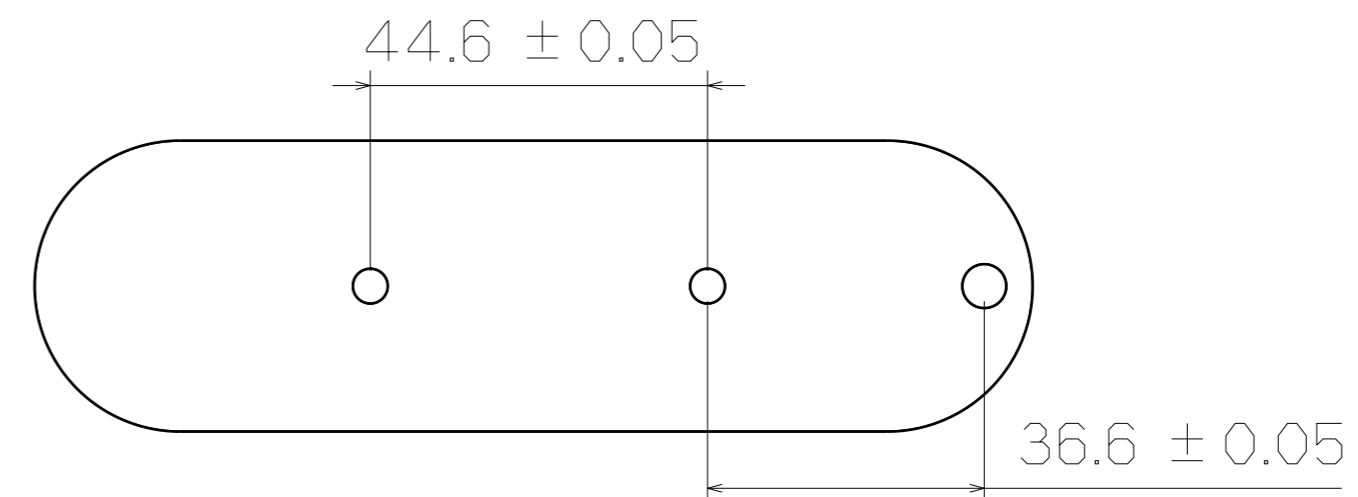
3D View



Right View



SF813



Back View

This drawing is our property. It can't be reproduced or communicated without our written agreement.



DRAWN BY DANIEL CHEN		DATE 2000/4/4	DRAWING TITLE PATCH			
CHECKED BY JIMMY CHEN		DATE 2000/4/7	SIZE A2	DRAWING NUMBER SF813		REV X
DESIGNED BY RD		DATE 2000/4	SCALE 1:1	MATERIAL PVC	SHEET 1/1	

H

G

B

A