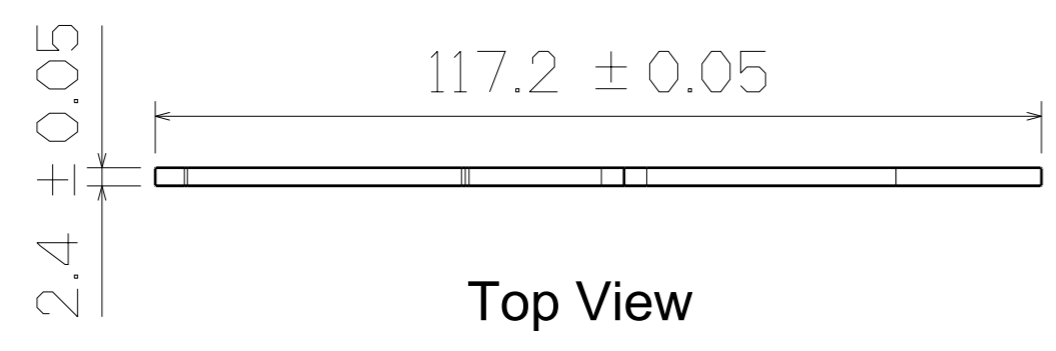
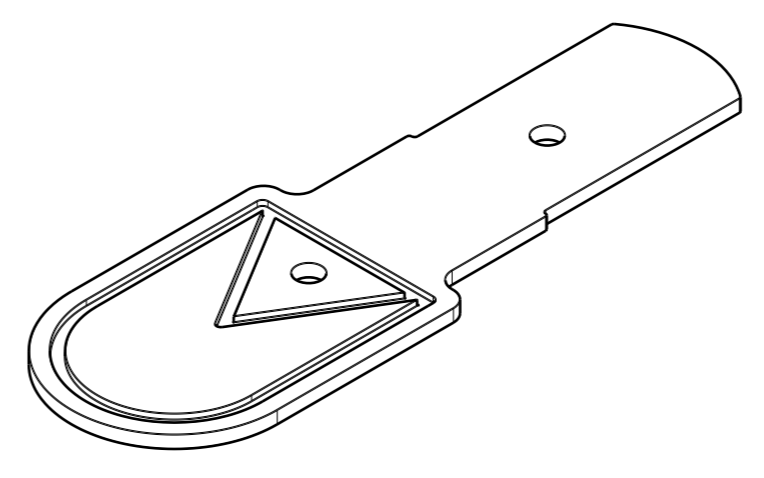


H G F E D C B A

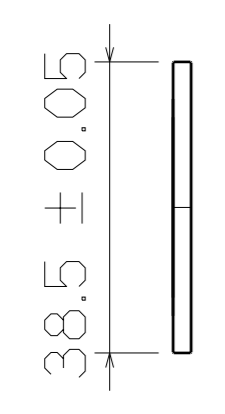
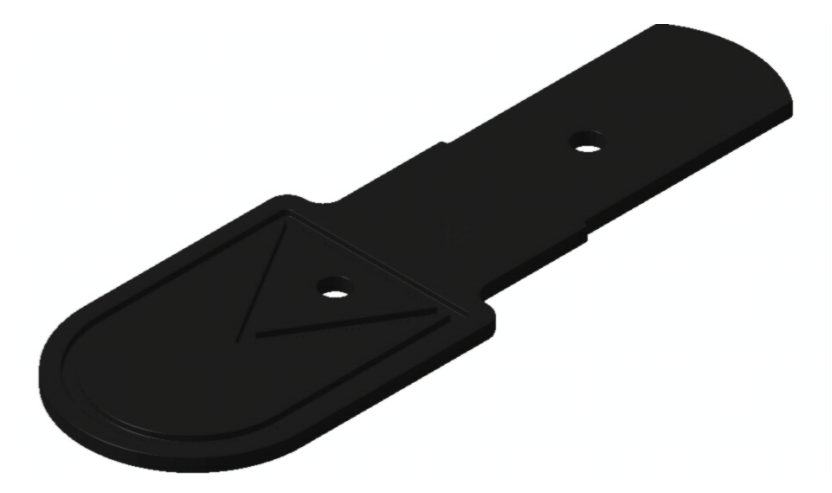
8 7 6 5 4 3 2 1



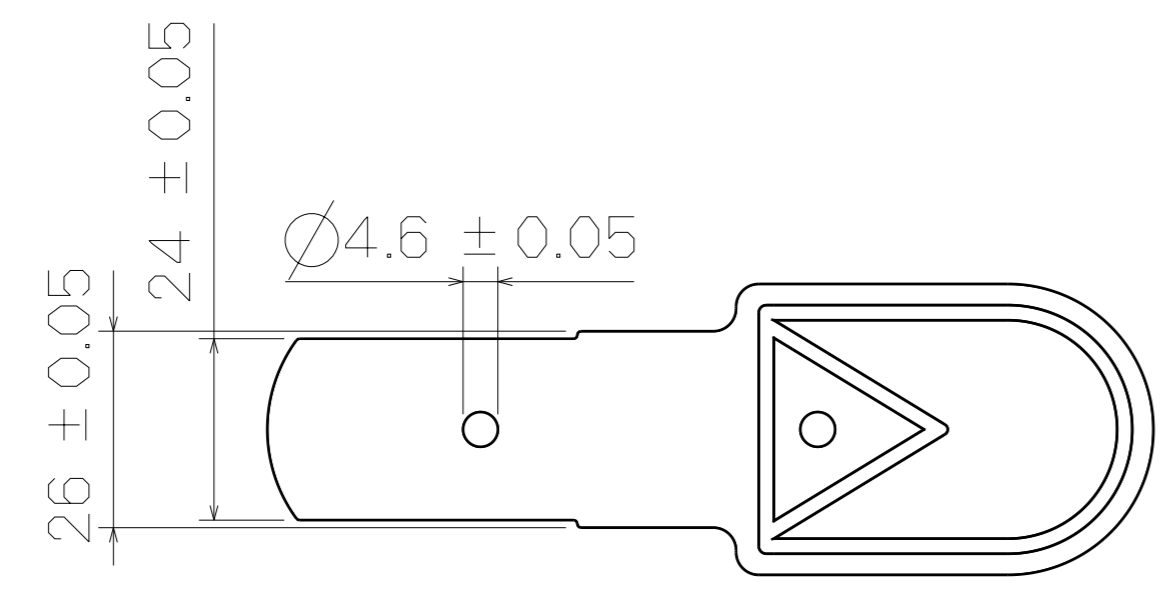
Top View



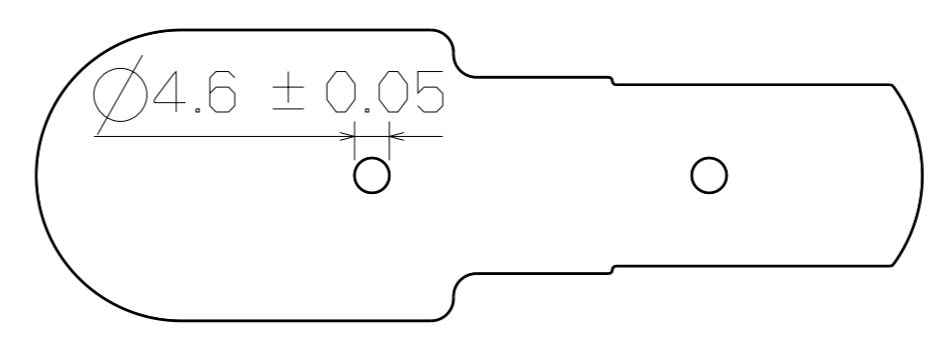
3D View




Right View



SF812



Back View

This drawing is our property. It can't be reproduced or communicated without our written agreement.		 SHIN FANG PLASTIC INDUSTRIAL CO., LTD.			
DRAWN BY DANIEL CHEN		DATE 2000/4/5		DRAWING TITLE PATCH	
CHECKED BY JIMMY CHEN		DATE 2000/4/8		SIZE A2	DRAWING NUMBER SF812
DESIGNED BY RD		DATE 2000/4		SCALE 1:1	MATERIAL PVC
				SHEET 1/1	REV X

H G B A

1