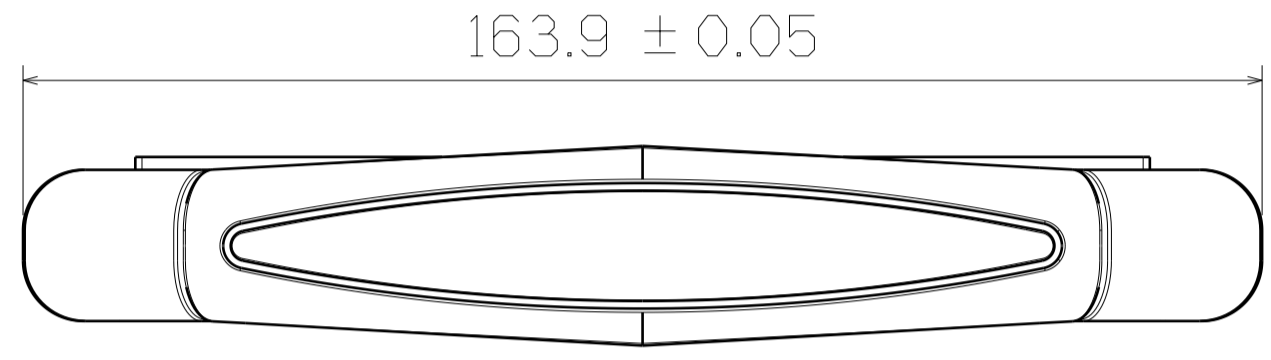
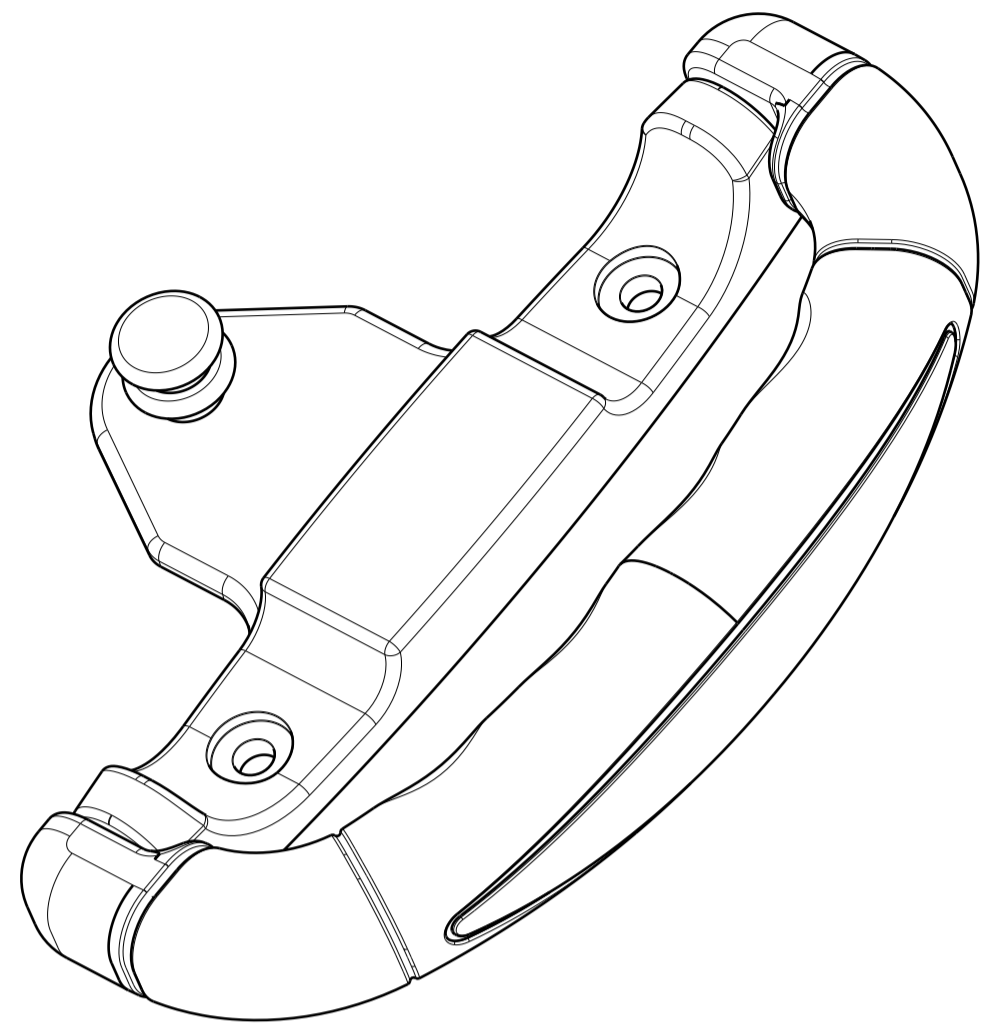


P O N M L K J I H G F E D C B A

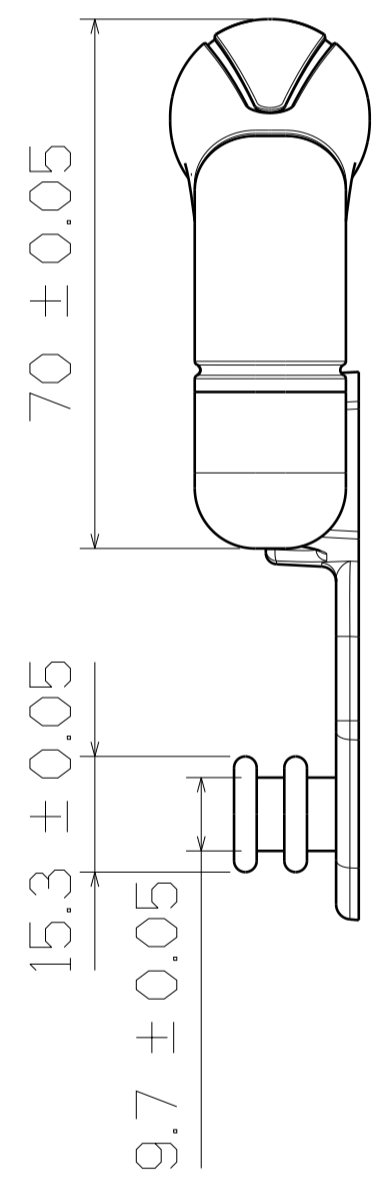


163.9 ± 0.05

Top View



3D View

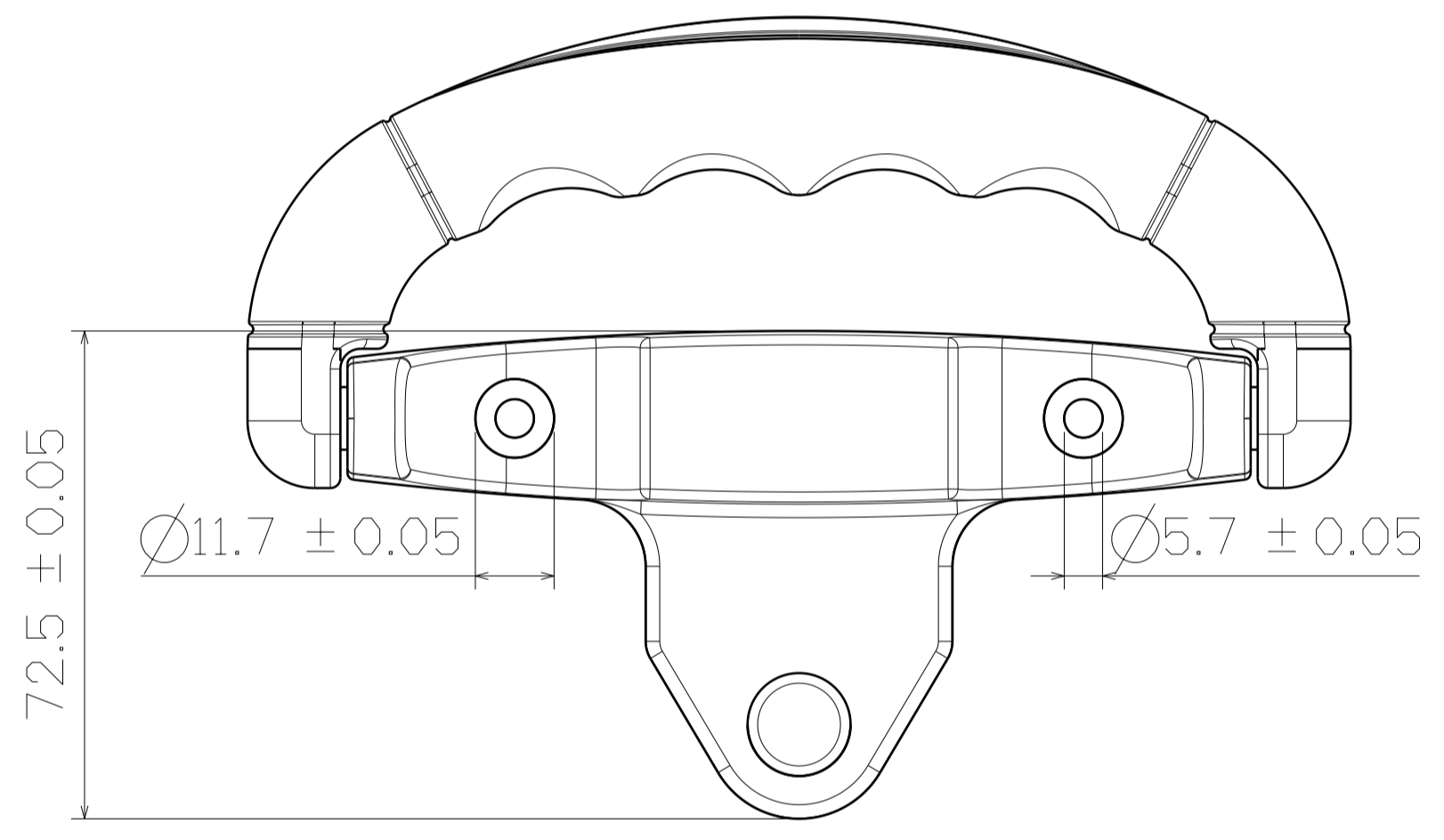


70 ± 0.05

15.3 ± 0.05

9.7 ± 0.05

Right View

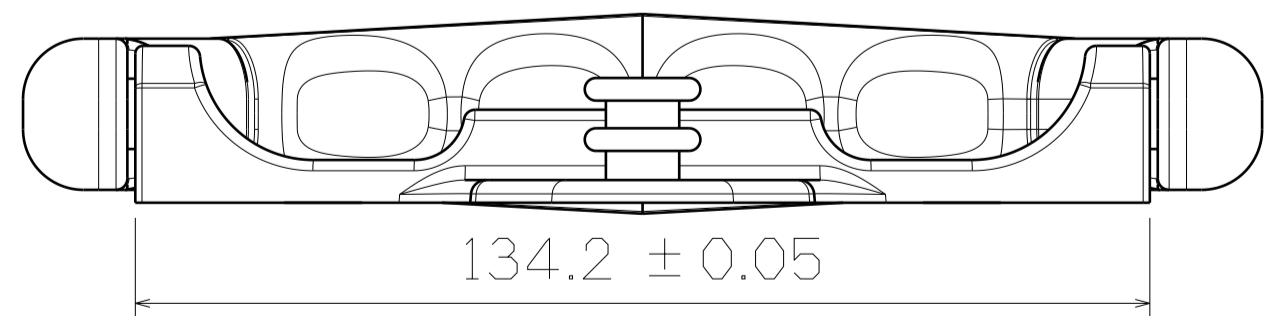


72.5 ± 0.05

Ø11.7 ± 0.05

Ø5.7 ± 0.05

SF806-3



134.2 ± 0.05

Bottom View

This drawing is our property. It can't be reproduced or communicated without our written agreement.					
DRAWN BY		DATE		DRAWING TITLE	
DANIEL CHEN		2001/11/2		HANDLE	
CHECKED BY		DATE		SIZE	DRAWING NUMBER
JIMMY CHEN		2001/11/5		A1	SF806-3
DESIGNED BY		DATE		SCALE	MATERIAL
RD		2001/11		1:1	PP
				SHEET	1/1

P O N M L K J I H G F E D C B A