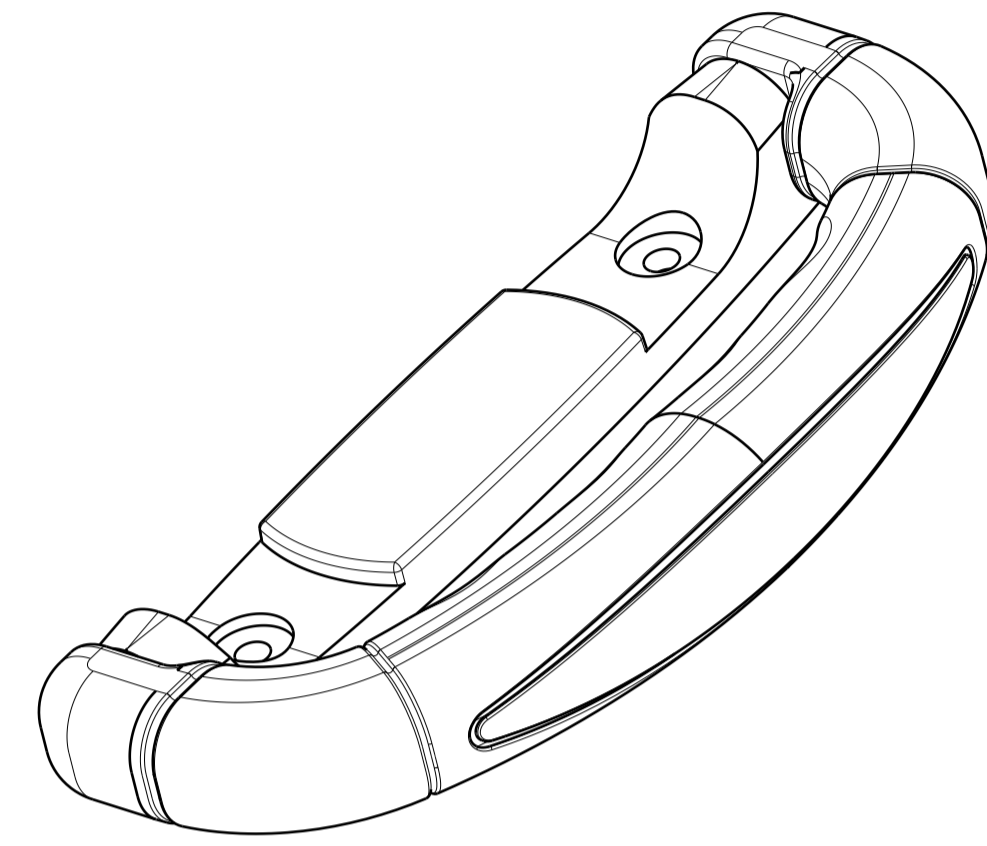
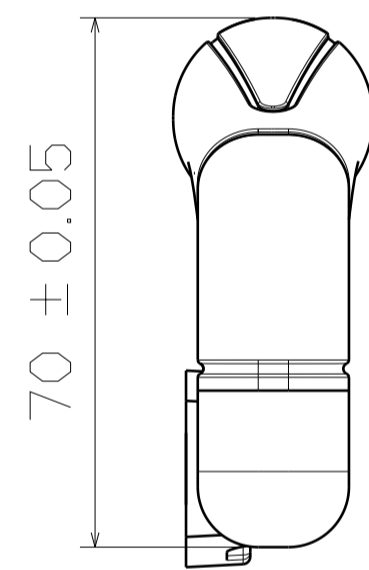


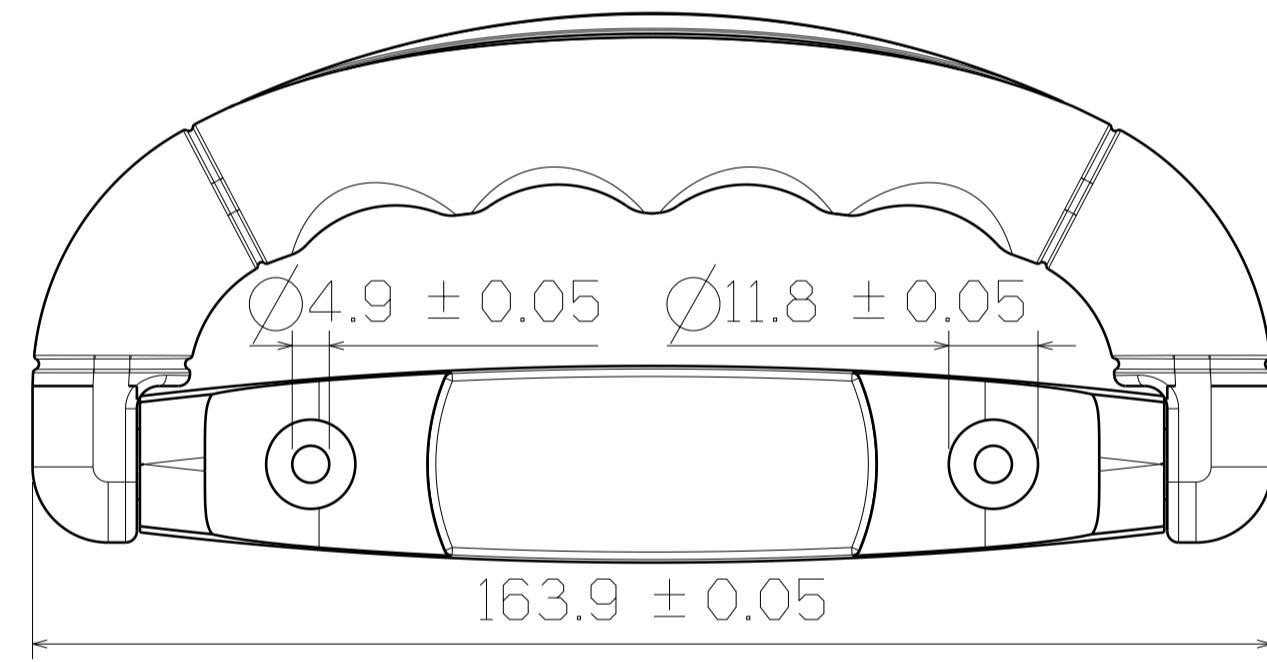
Top View



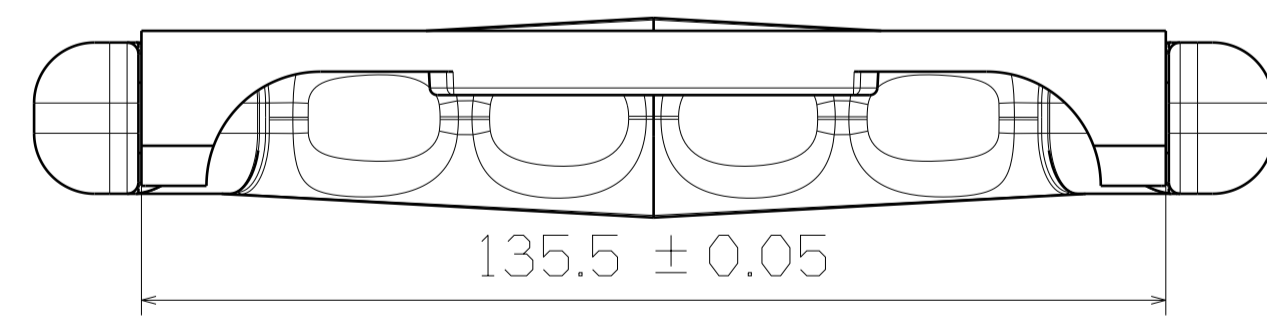
3D View




Right View



SF806-1



Bottom View

This drawing is our property. It can't be reproduced or communicated without our written agreement.					
DRAWING TITLE		HANDLE			
DRAWN BY	DATE	SIZE	DRAWING NUMBER	REV	
DANIEL CHEN	2001/11/2	A1	SF806-1	X	
CHECKED BY	DATE	SCALE	MATERIAL	SHEET	
JIMMY CHEN	2001/11/7	1:1	PP	1/1	
DESIGNED BY	DATE				
RD	2001/11				