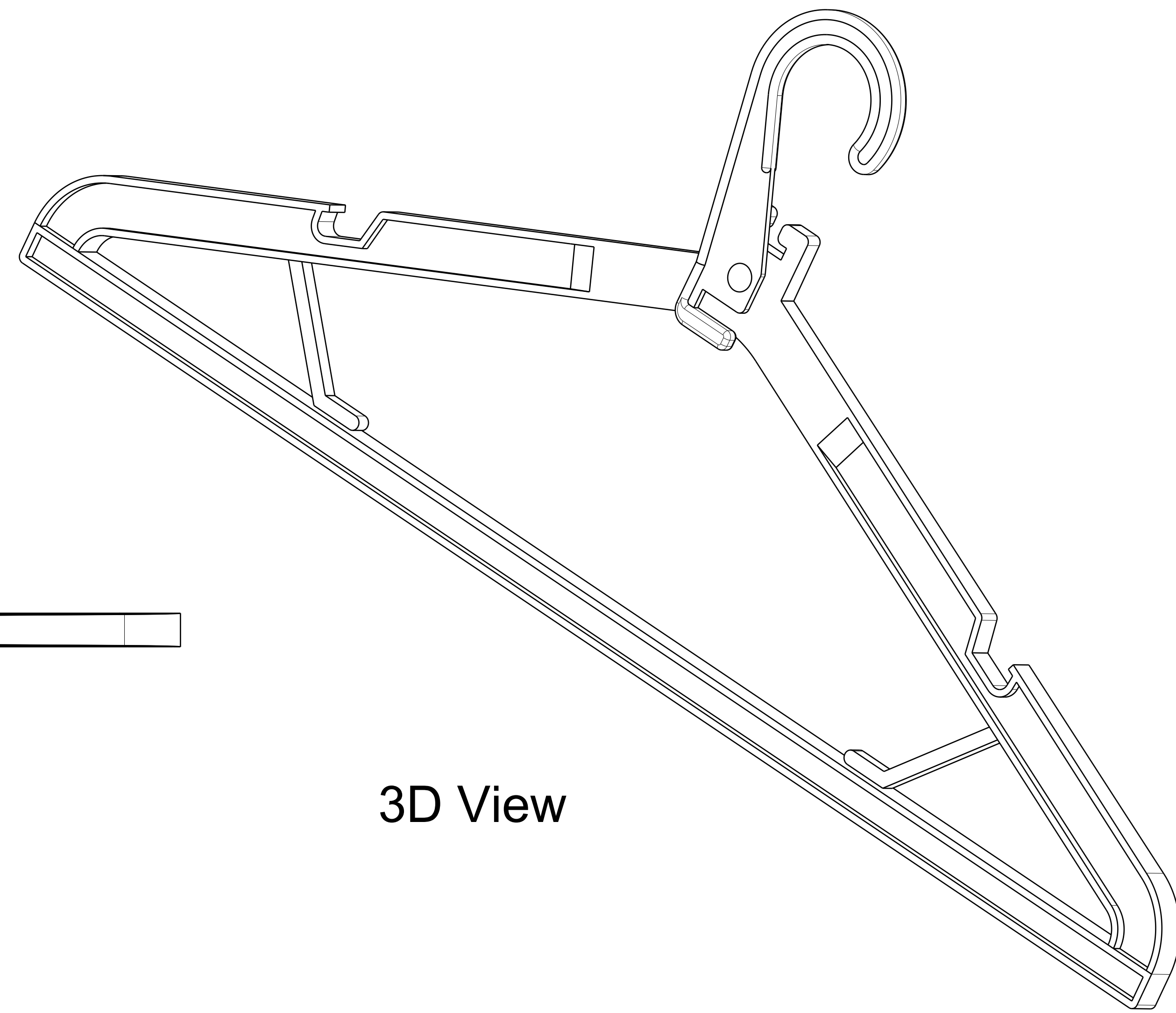
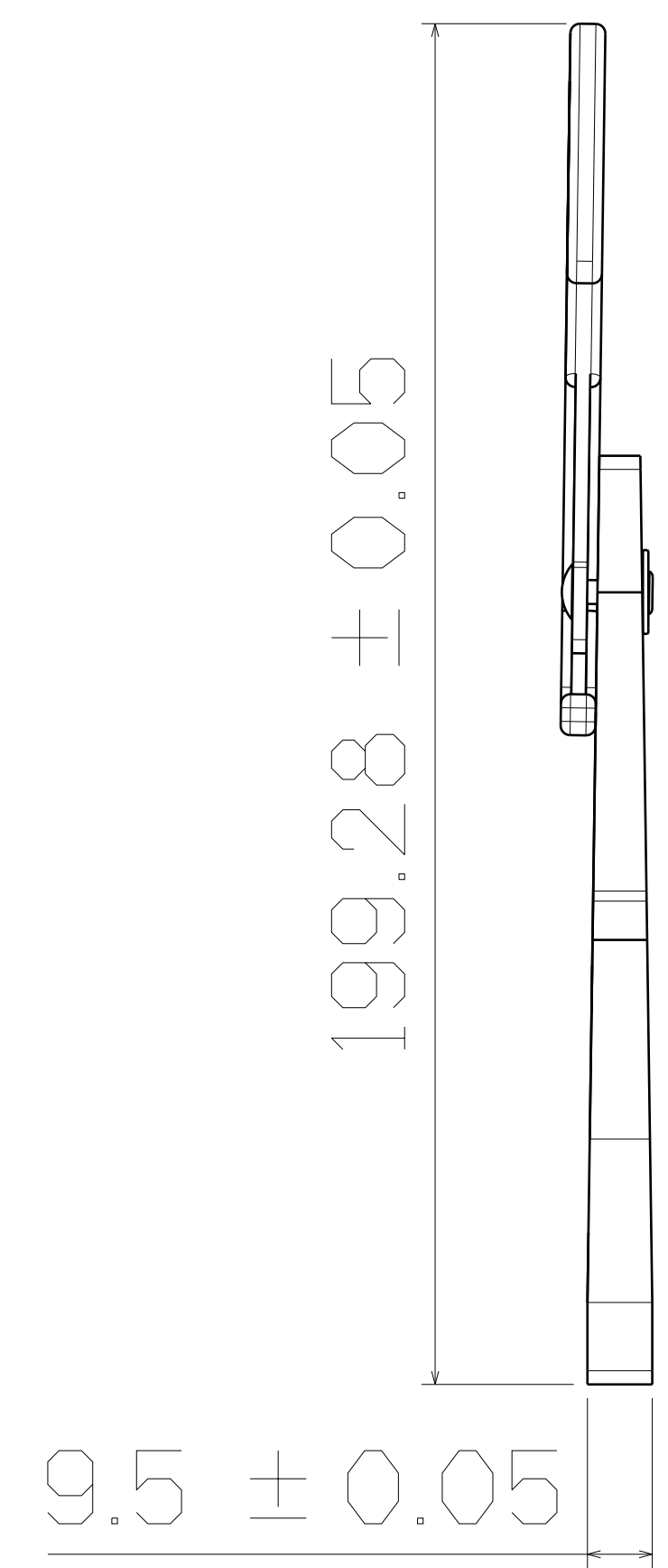


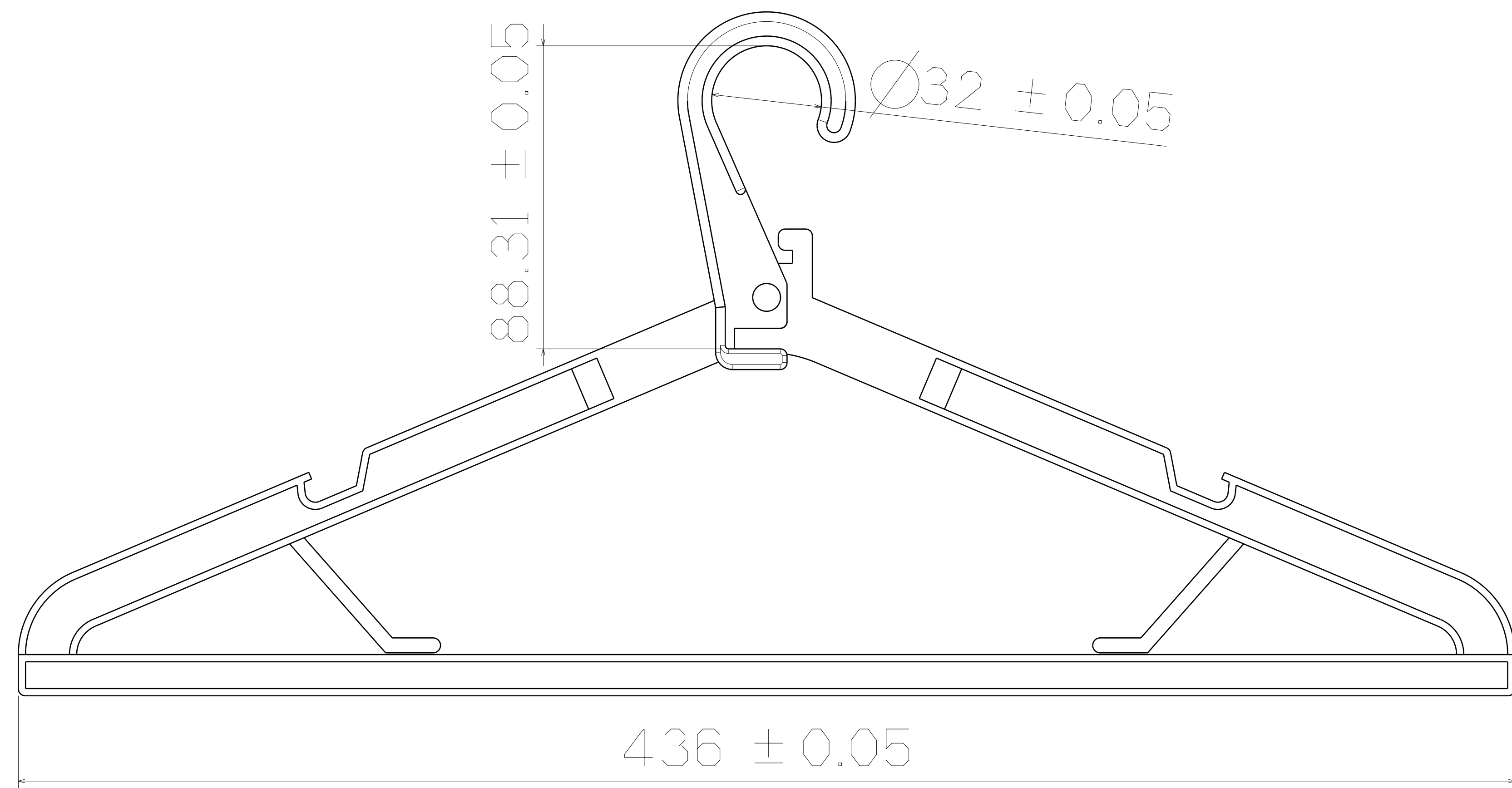
Top View



3D View



Right View



SF804



This drawing is our property.
It can't be reproduced
or communicated without
our written agreement.

SHIN FANG PLASTIC
INDUSTRIAL CO., LTD.

DRAWING TITLE		HANGER	
DRAWN BY	DATE	SIZE	DRAWING NUMBER
DANIEL CHEN	2001/2/20	A0	SF804
CHECKED BY	DATE	SCALE	MATERIAL
JIMMY CHEN	2001/2/25	1:1	PP
DESIGNED BY	DATE	SHEET	1/1
RD	2001/2		