

H

G

F

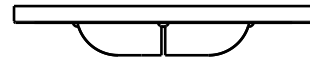
E

D

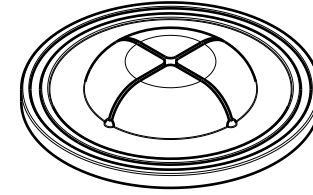
C

B

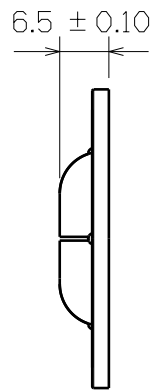
A



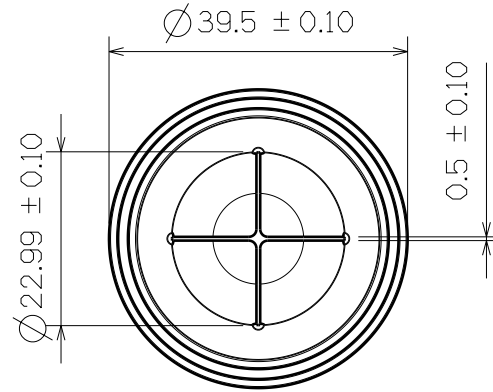
Top View



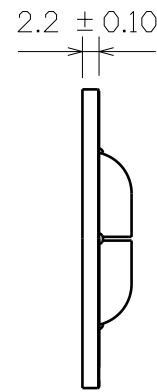
3D View



Right View



SF757



Left View



Bottom View

This drawing is our property.
It can't be reproduced
or communicated without
our written agreement.



DRAWING TITLE

DRAWN BY	DATE
DANIEL CHEN	2009/5/19
CHECKED BY	DATE
JIMMY CHEN	2009/5/20
DESIGNED BY	DATE
RD	2009/5

PAD		DRAWING NUMBER		REV
A3	SF757		X	
SCALE 1:1	MATERIAL PVC	SHEET	1/1	

4

4

3

3

2

2

1

1

H

G

B

A