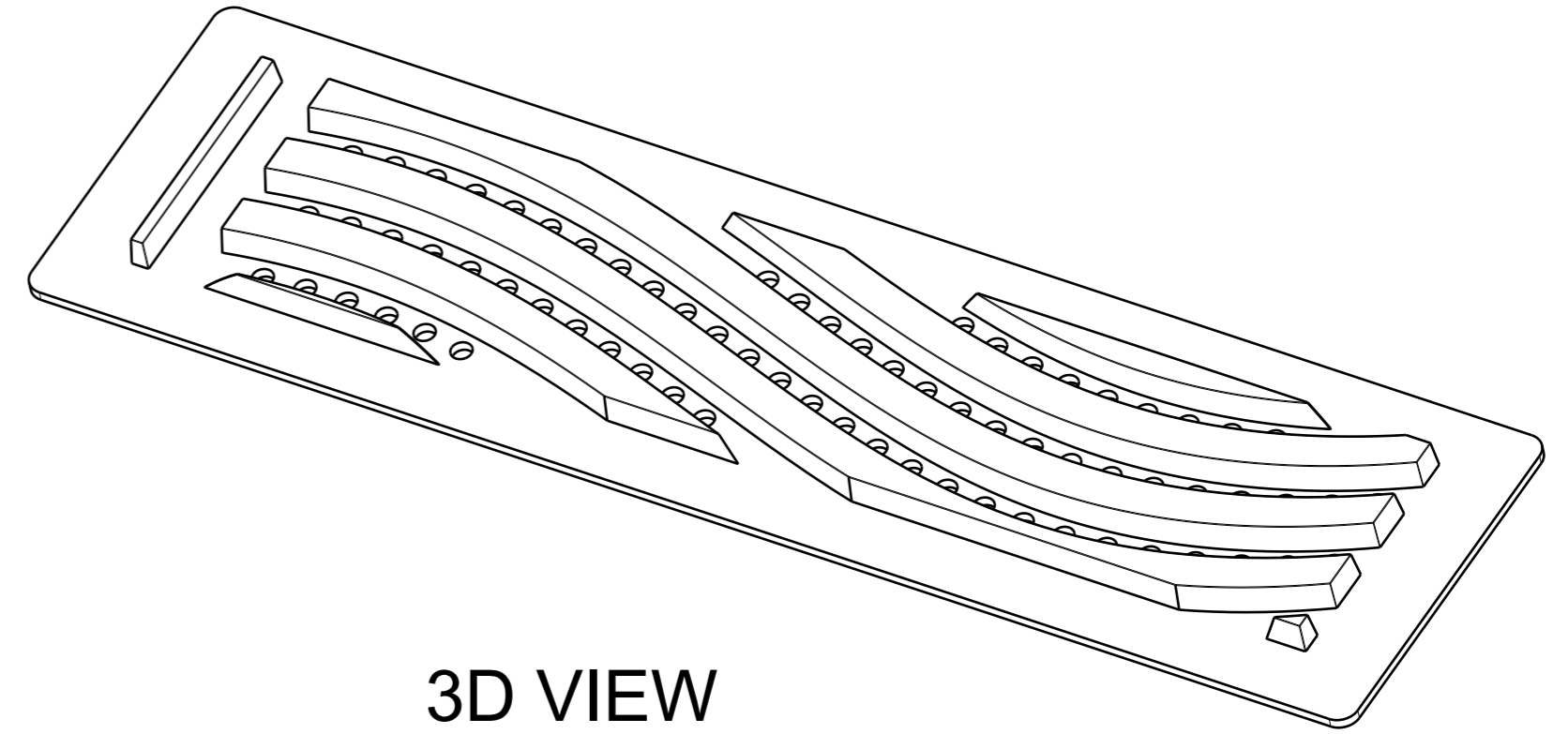
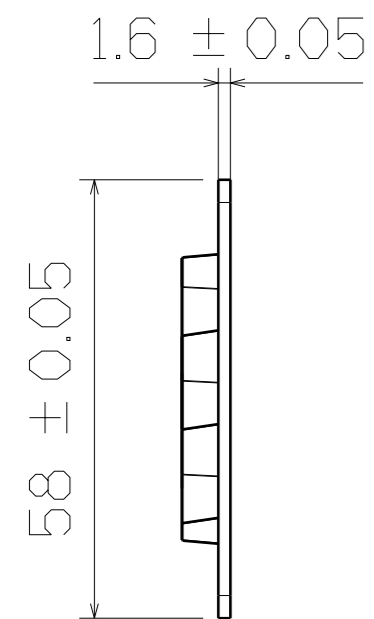


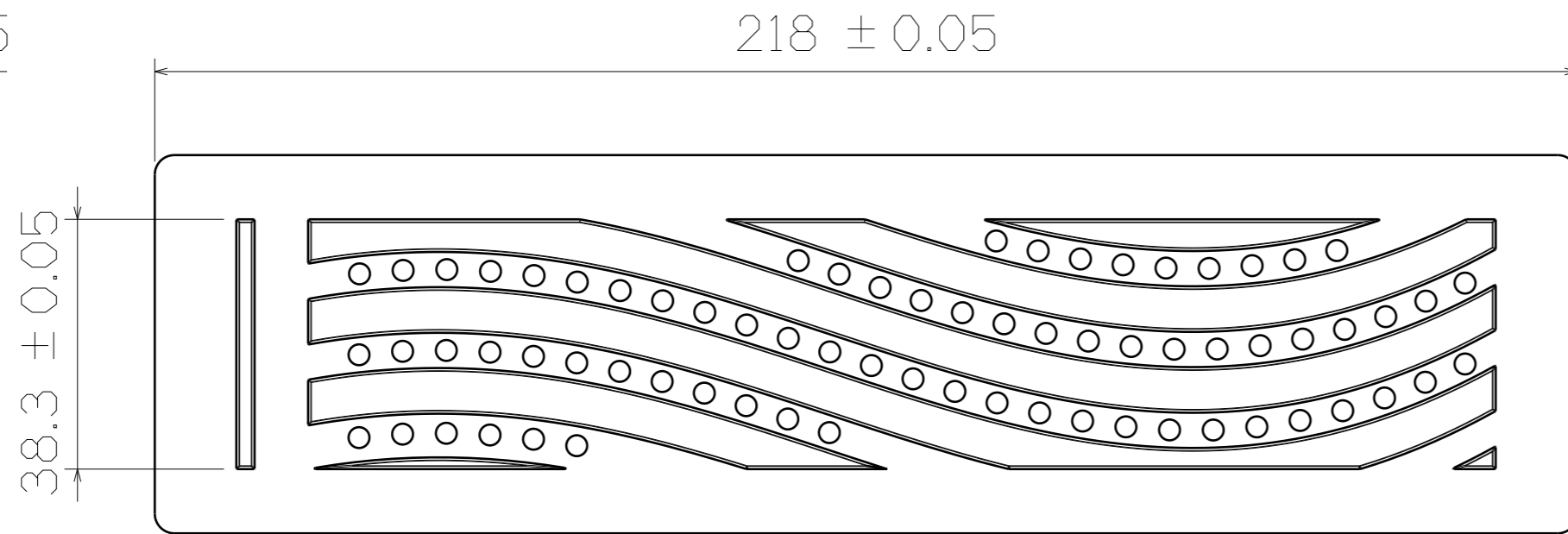
TOP VIEW



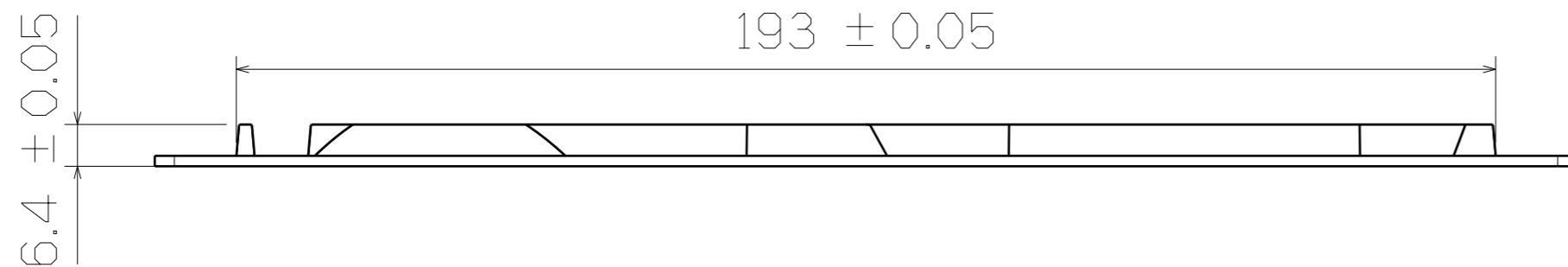
3D VIEW



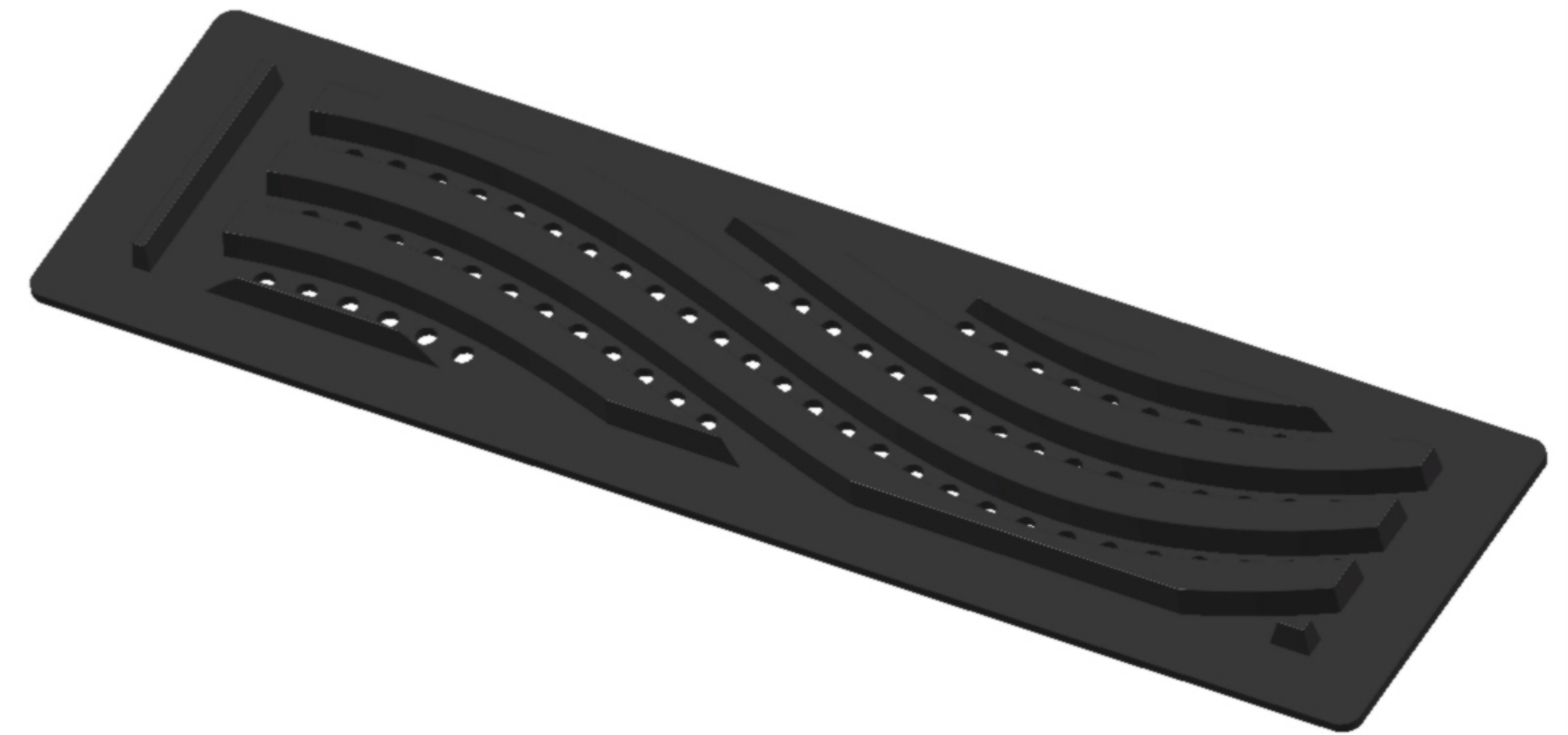
RIGHT VIEW




SF750-4



BOTTOM VIEW



This drawing is our property. It can't be reproduced or communicated without our written agreement.		 SHIN FANG PLASTIC INDUSTRIAL CO., LTD.			
DRAWN BY		DATE		DRAWING TITLE	
DANIEL CHEN		2002/5/5		BOTTOM PAD	
CHECKED BY		DATE		SIZE	DRAWING NUMBER
JIMMY CHEN		2002/5/8		A2	SF750-4
DESIGNED BY		DATE		SCALE	MATERIAL
RD		2002/5		1:1	PVC
				SHEET	1/1
				REV	X