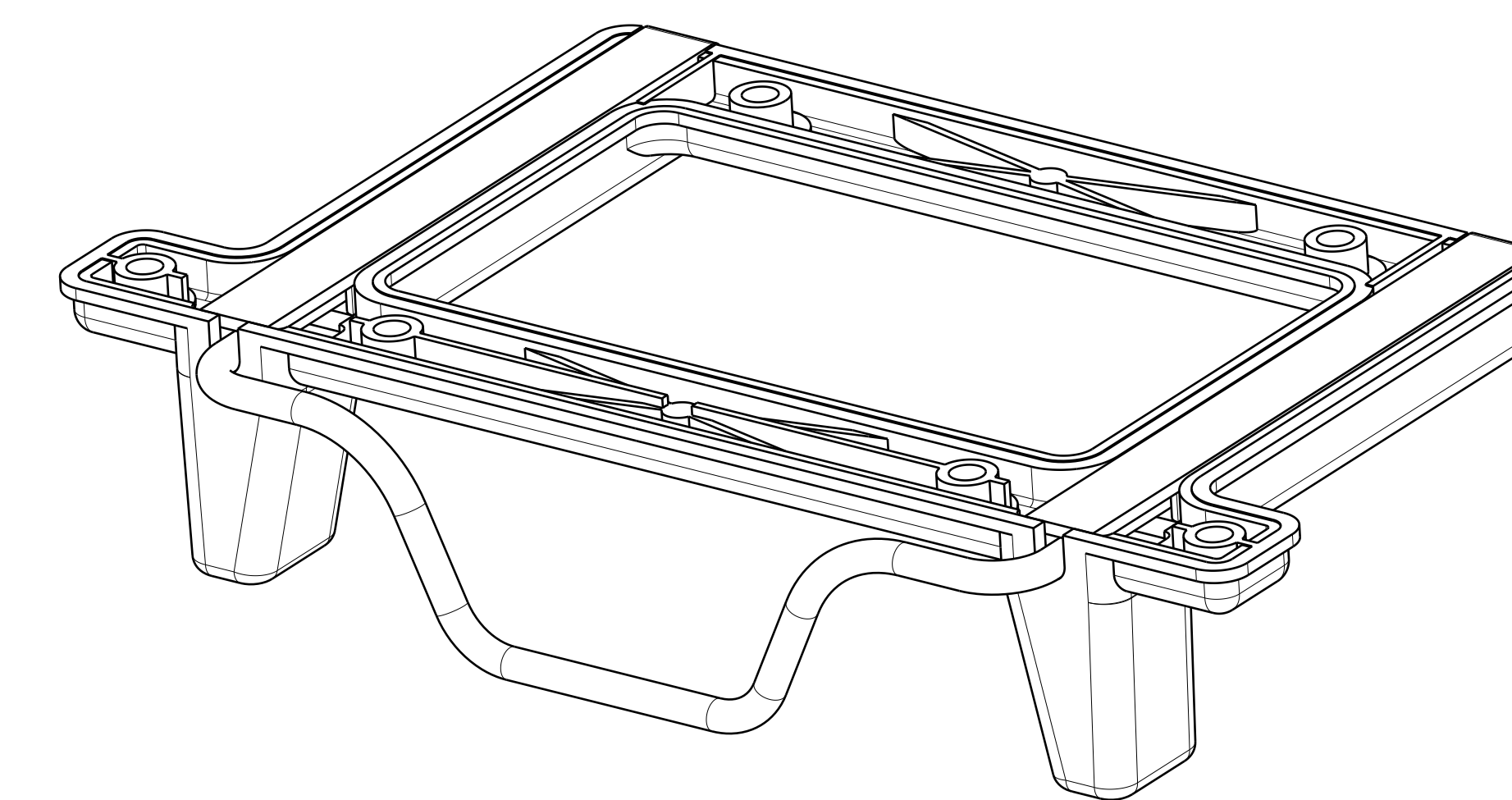
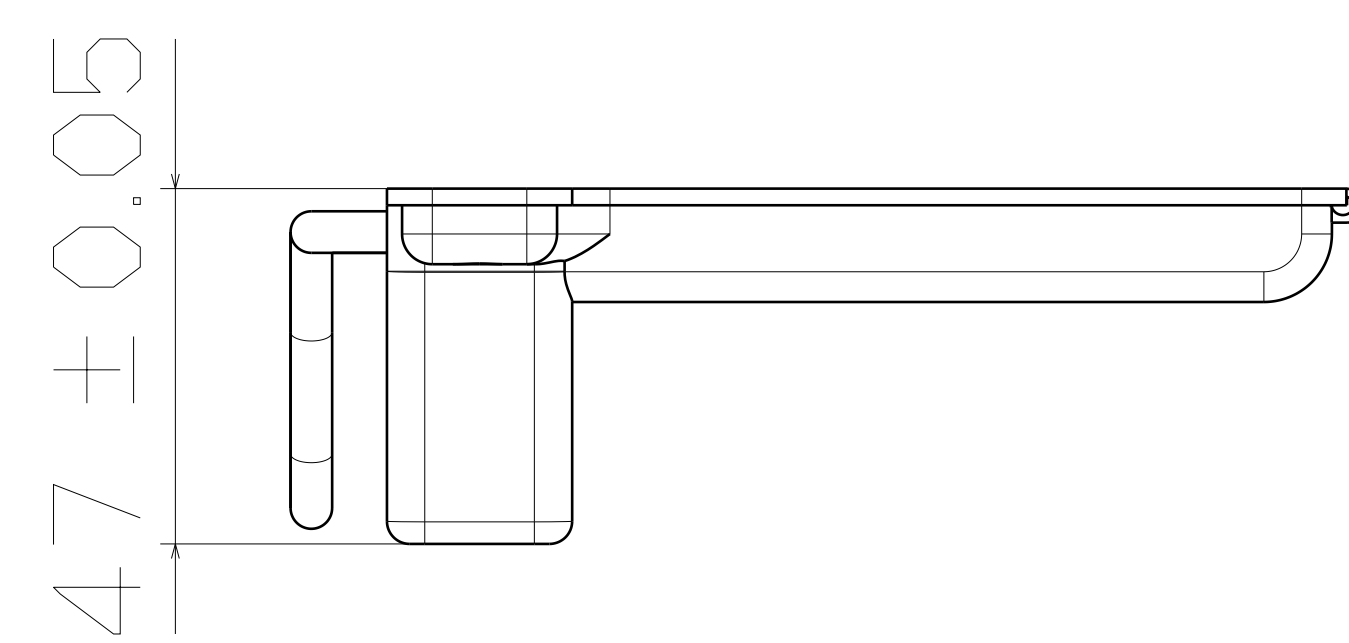


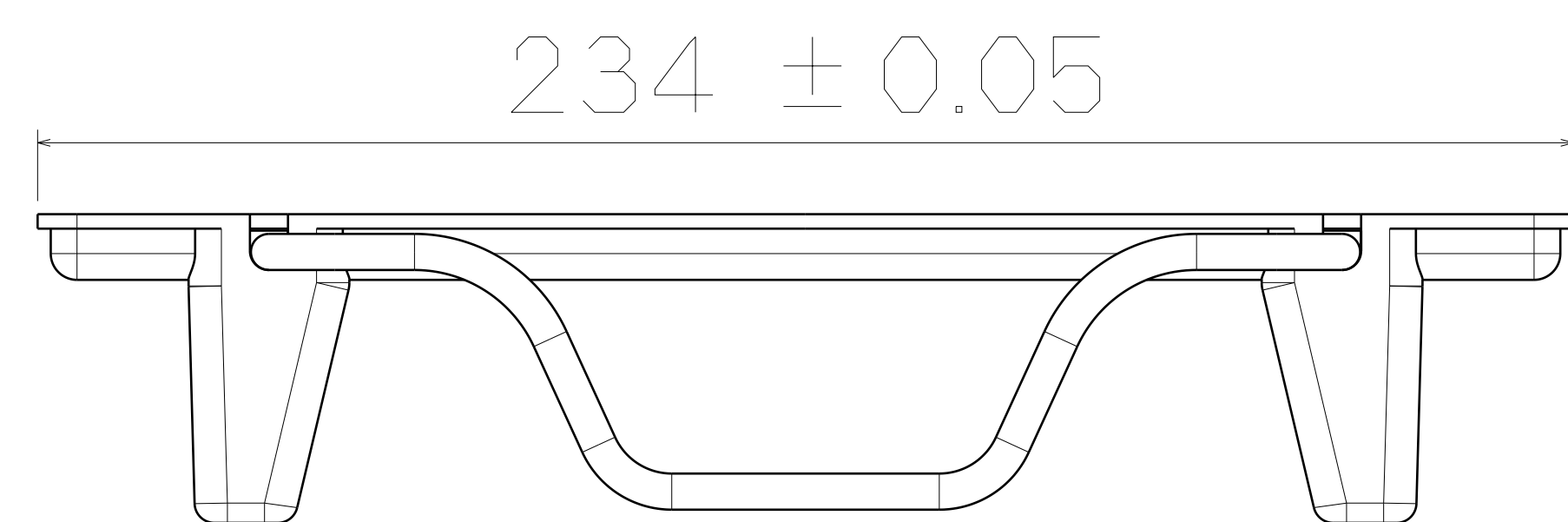
Top View



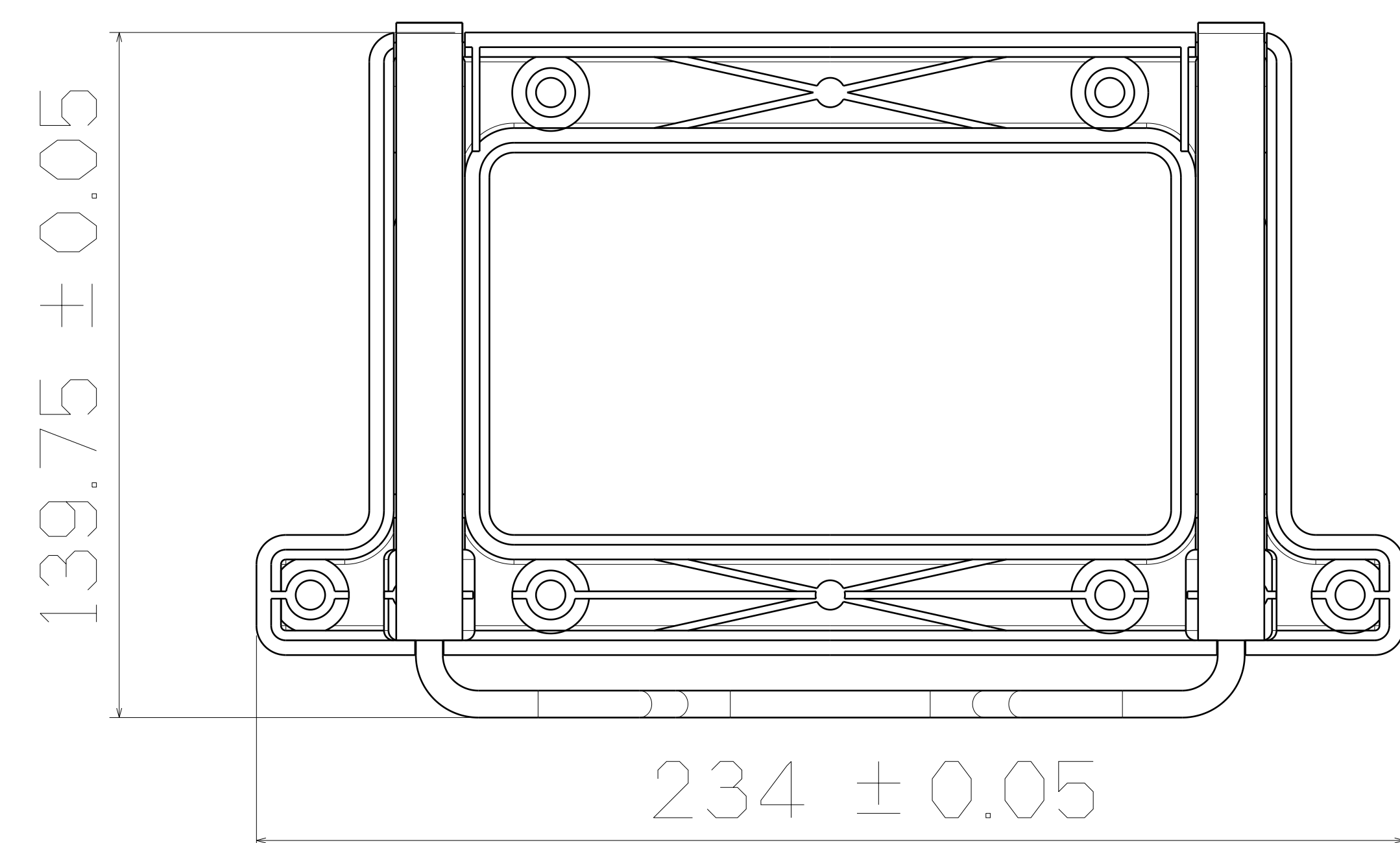
3D View



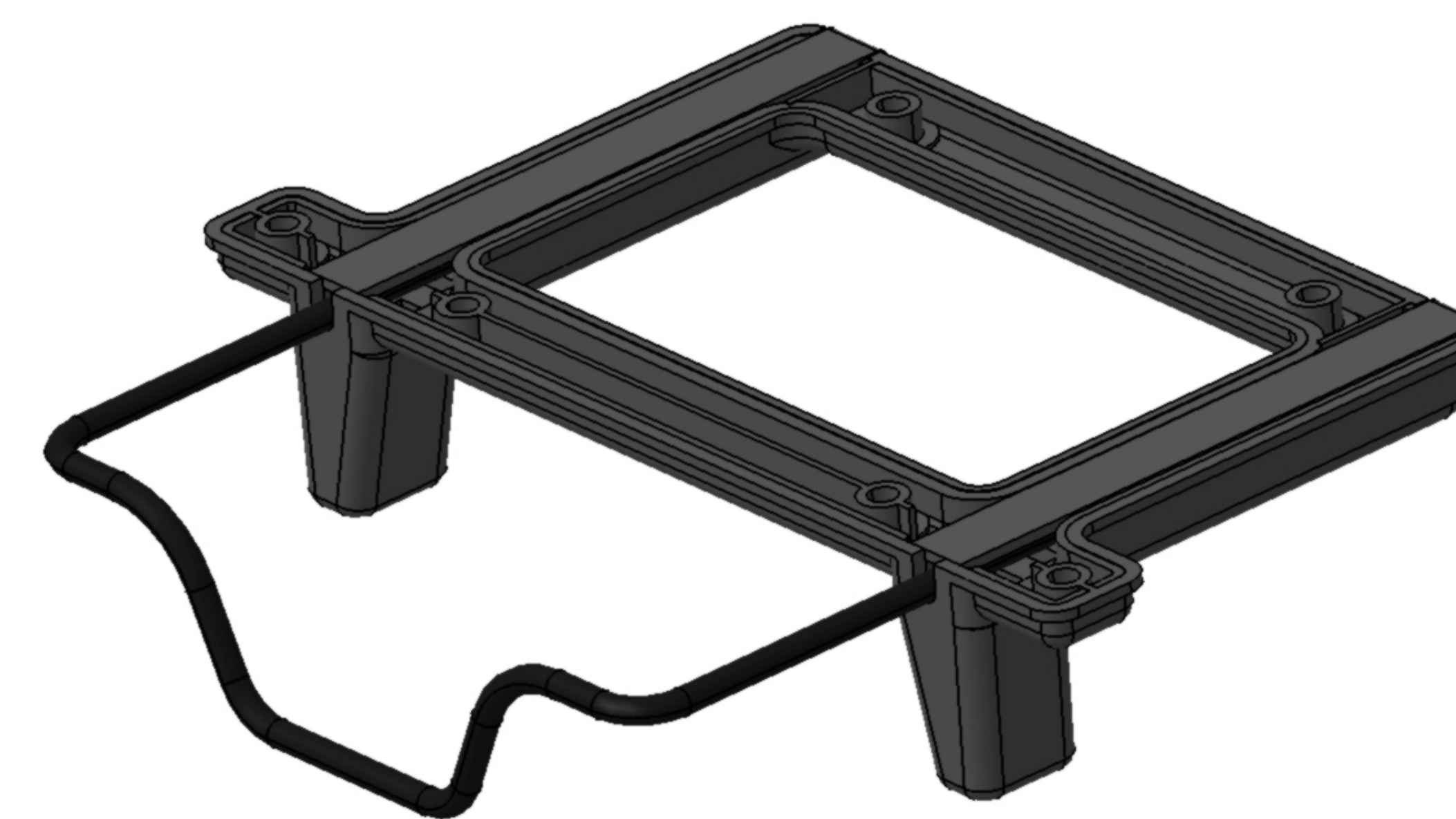
Right View



SF732



Bottom View



<small>This drawing is our property. It can't be reproduced or communicated without our written agreement.</small>			
DRAWING TITLE		Foot Stand	
DRAWN BY	DATE	SIZE	DRAWING NUMBER
BRIAN CHEN	2003/8/16	A0	SF732
CHECKED BY	DATE	SCALE	MATERIAL
JIMMY CHEN	2003/8/18	1:1	PP
DESIGNED BY	DATE	SHEET	1/1
RD	2003/8		