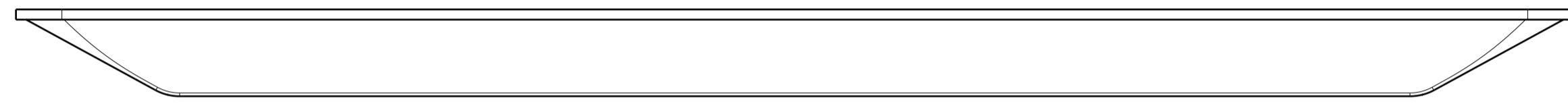


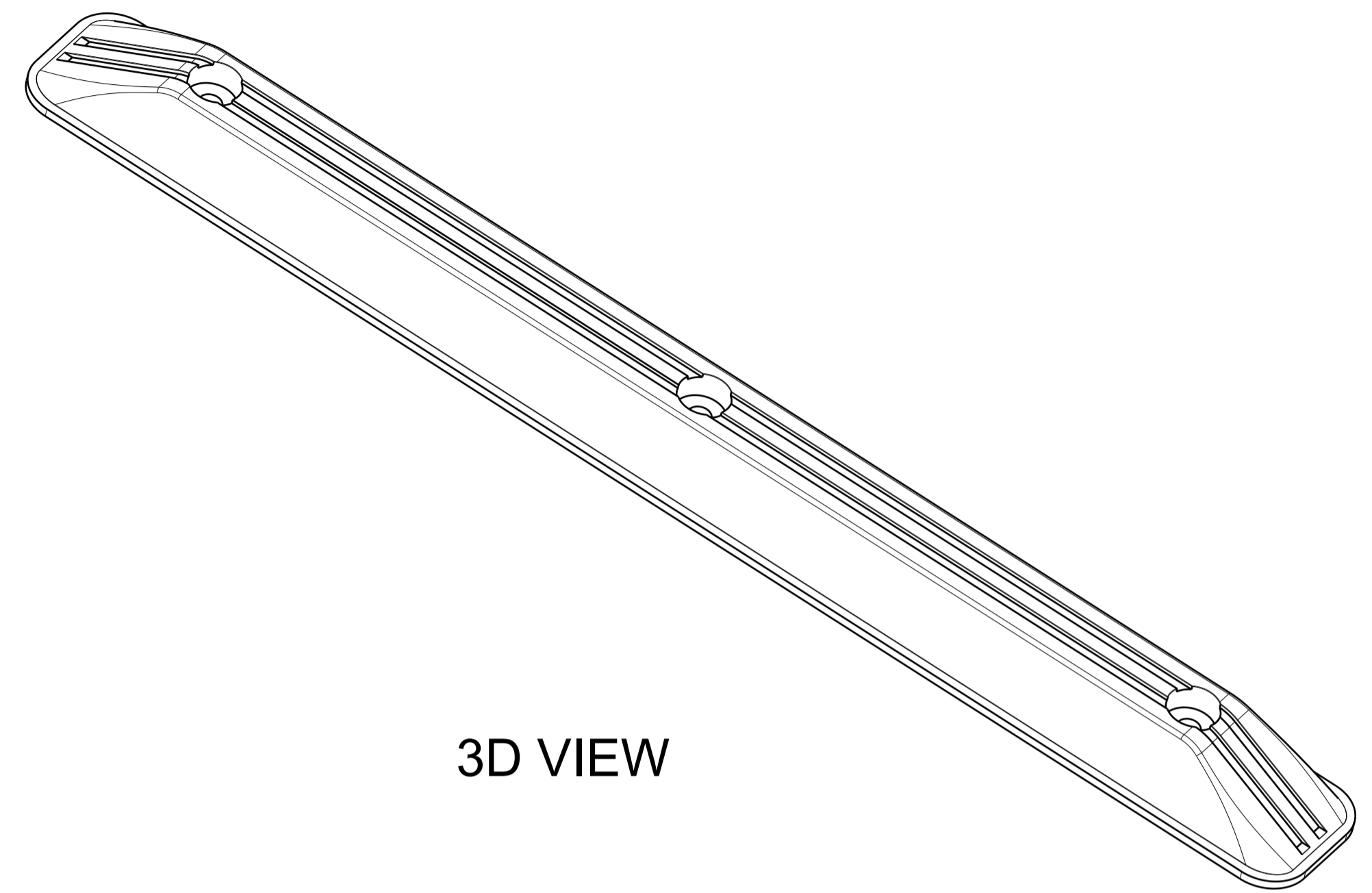
P O N M L K J I H G F E D C B A

8 7 6 5 4 3 2 1

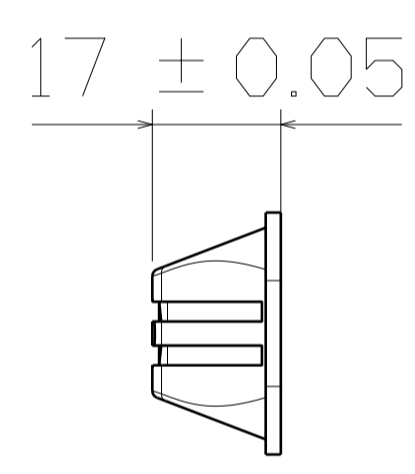
8 7 6 5 4 3 2 1



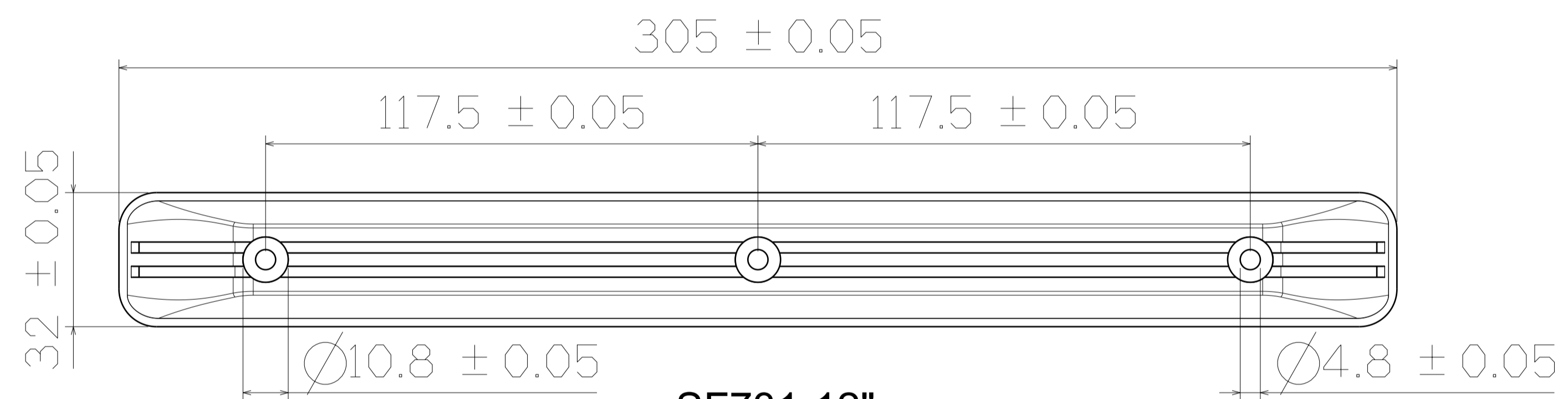
TOP VIEW



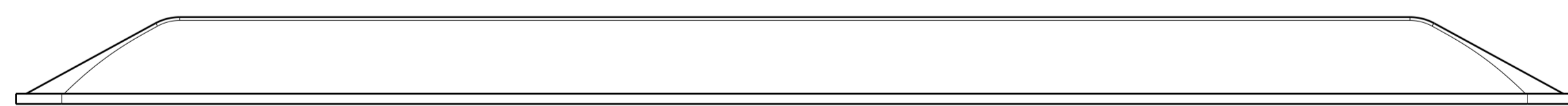
3D VIEW



RIGHT VIEW



SF731-12"



BOTTOM VIEW



This drawing is our property. It can't be reproduced or communicated without our written agreement.					
DRAWN BY		DATE		DRAWING TITLE	
DANIEL CHEN		2000/3/5		BOTTOM BAR	
CHECKED BY		DATE		SIZE	DRAWING NUMBER
JIMMY CHEN		2000/3/8		A1	SF731-12"
DESIGNED BY		DATE		SCALE	MATERIAL
RD		2000/3		1:1	PP
				SHEET	1/1

P O N M L K J I H G F E D C B A