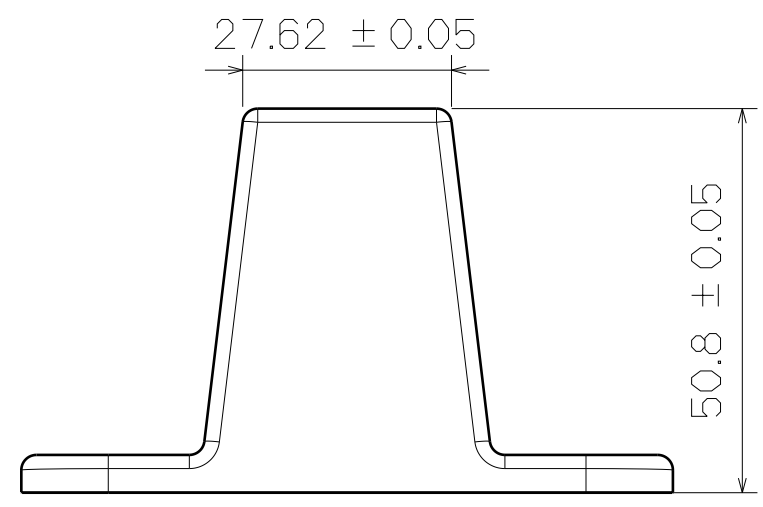


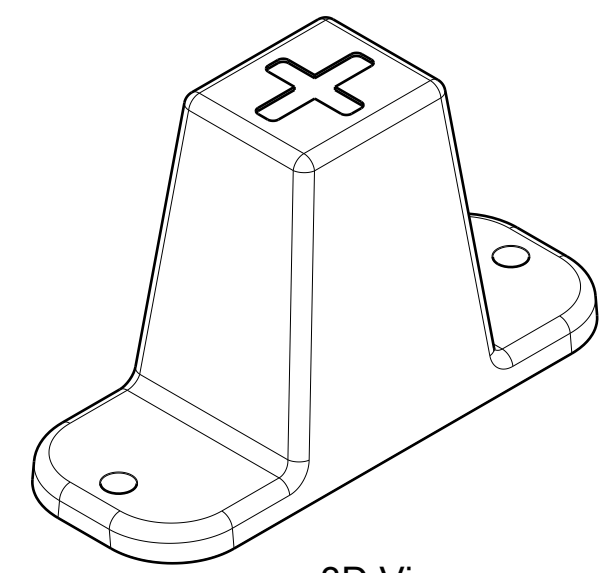
H G F E D C B A

4

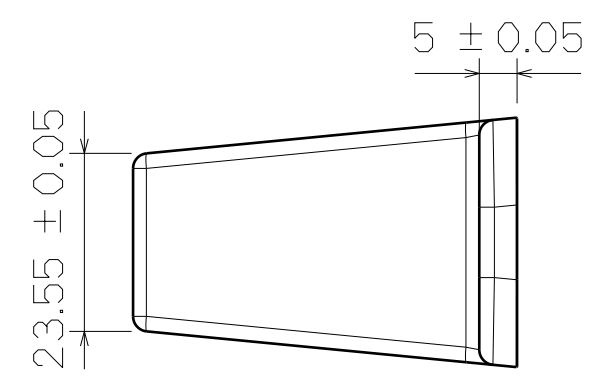
4



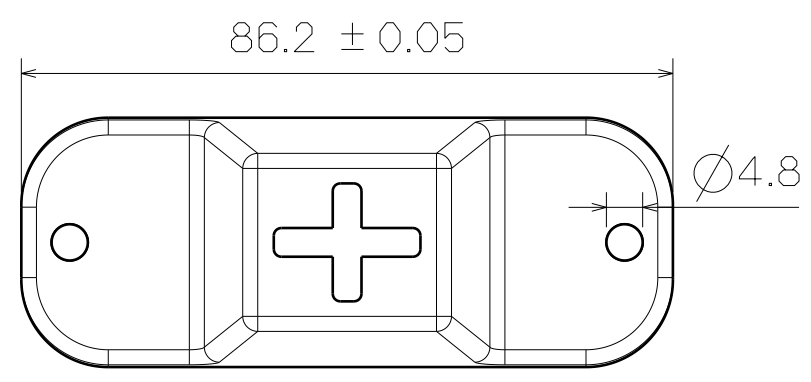
Top View



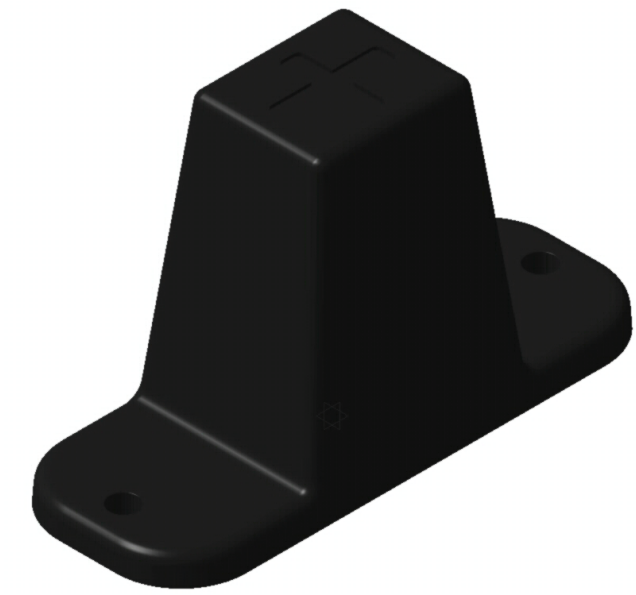
3D View



Right View



SF729-2




2

2

1

1

This drawing is our property. It can't be reproduced or communicated without our written agreement.		 SHIN FANG PLASTIC INDUSTRIAL CO., LTD.			
DRAWN BY DANIEL CHEN		DATE 2000/1/15		DRAWING TITLE FOOT STAND	
CHECKED BY JIMMY CHEN		DATE 2000/1/17		SIZE A3	REV X
DESIGNED BY RD		DATE 2000/1		SCALE 1:1	MATERIAL PP
				SHEET 1/1	

H G F E D C B A