

H

G

F

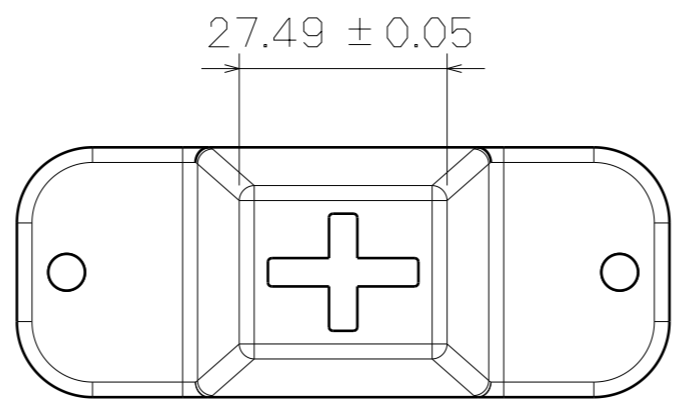
E

D

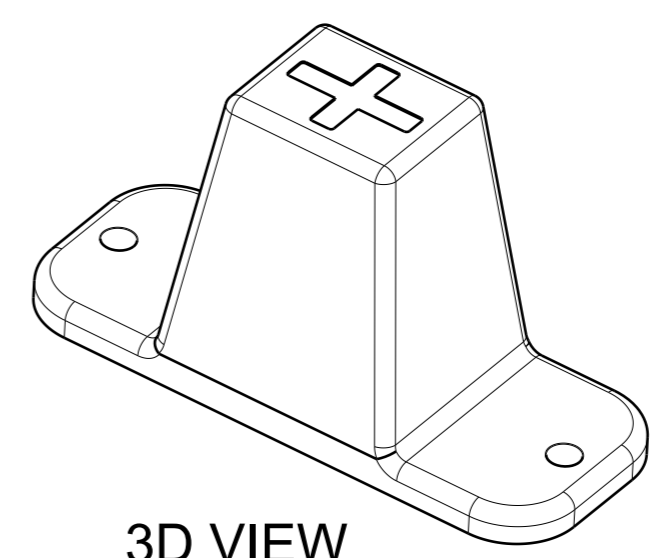
C

B

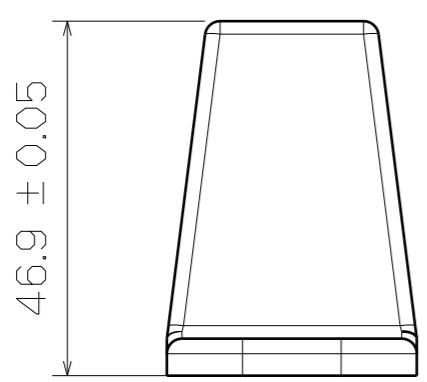
A



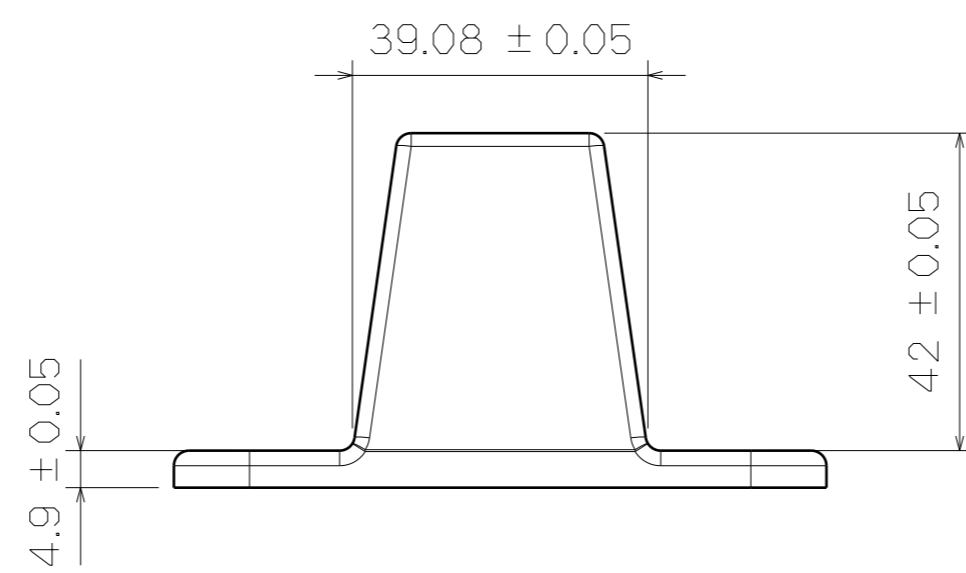
TOP VIEW



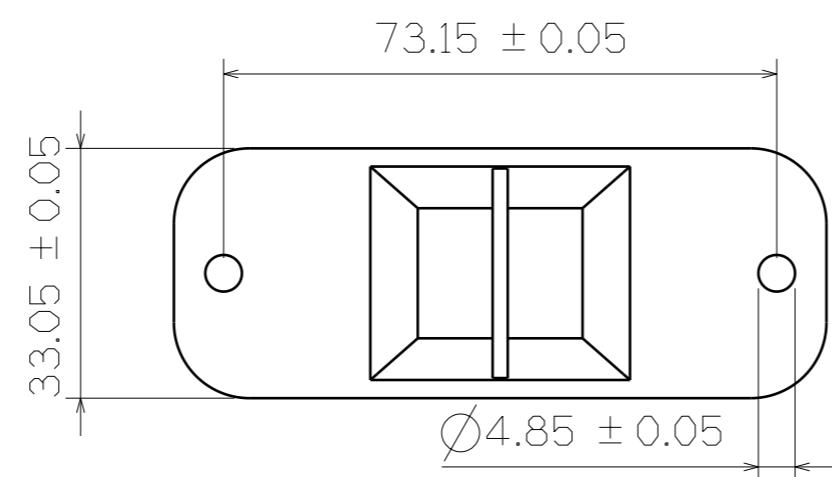
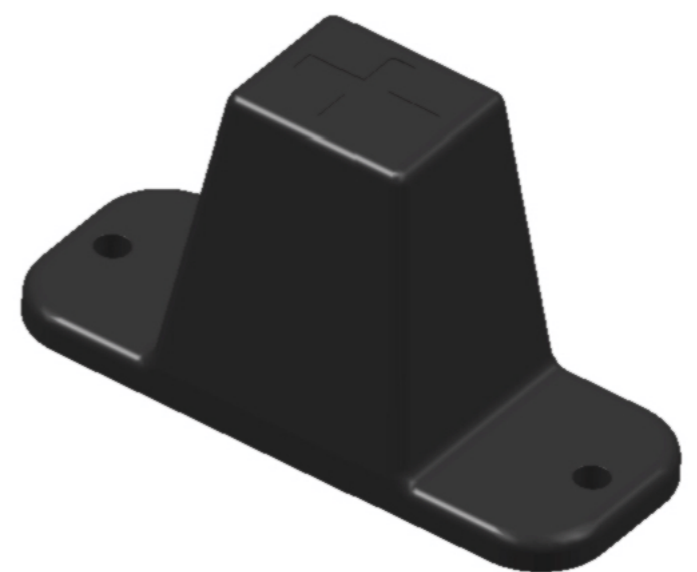
3D VIEW



RIGHT VIEW



SF729-1



BOTTOM VIEW

This drawing is our property.  
It can't be reproduced  
or communicated without  
our written agreement.



DRAWING TITLE

DRAWN BY		DATE		DRAWING TITLE			
DANIEL CHEN		2000/1/3		FOOT STAND			
CHECKED BY		DATE		SIZE	DRAWING NUMBER		REV
JIMMY CHEN		2000/1/5		A2	SF729-1		X
DESIGNED BY		DATE		SCALE	MATERIAL	PP	SHEET
RD		2000/1		1:1			1/1

H

G

B

A