

H

G

F

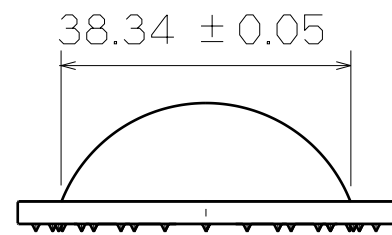
E

D

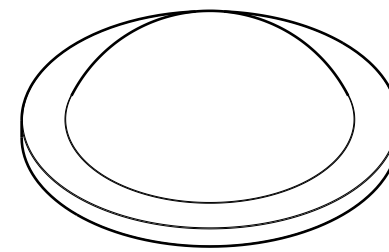
C

B

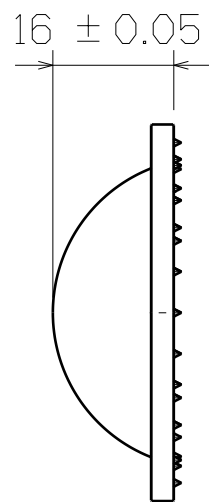
A



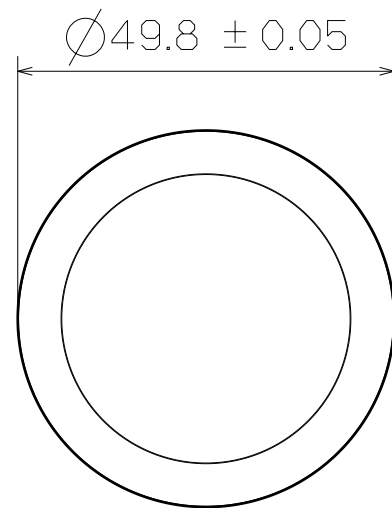
Top View



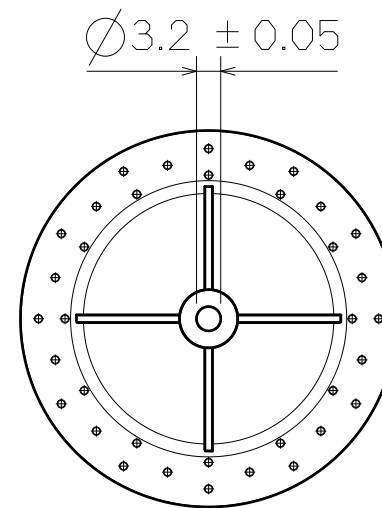
3D View



Right View



SF728-3



Back View

This drawing is our property.
It can't be reproduced
or communicated without
our written agreement.



**SHIN FANG PLASTIC
INDUSTRIAL CO., LTD.**

DRAWING TITLE

DRAWN BY	DATE
DANIEL CHEN	2000/1/15
CHECKED BY	DATE
JIMMY CHEN	2000/1/17
DESIGNED BY	DATE
RD	2000/1

DRAWING NUMBER		REV
SF728-3		X
SCALE	MATERIAL	SHEET
1:1	PP	1/1

FOOT STAND

4

4

3

3

2

2

1

1

H

G

B

A