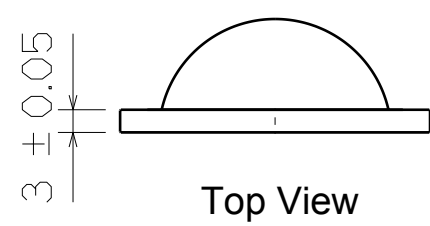


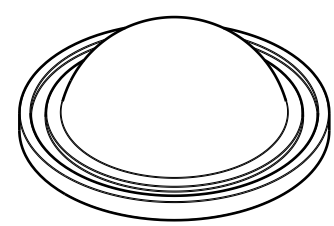
H G F E D C B A

4

4



Top View

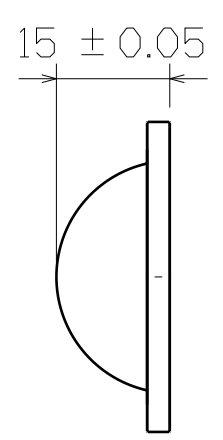


3D View

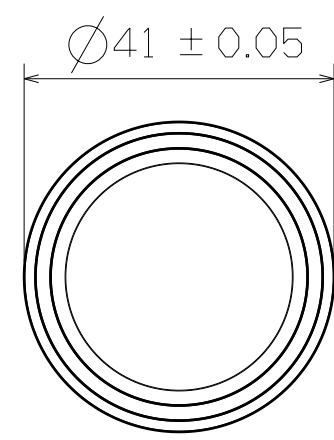


3

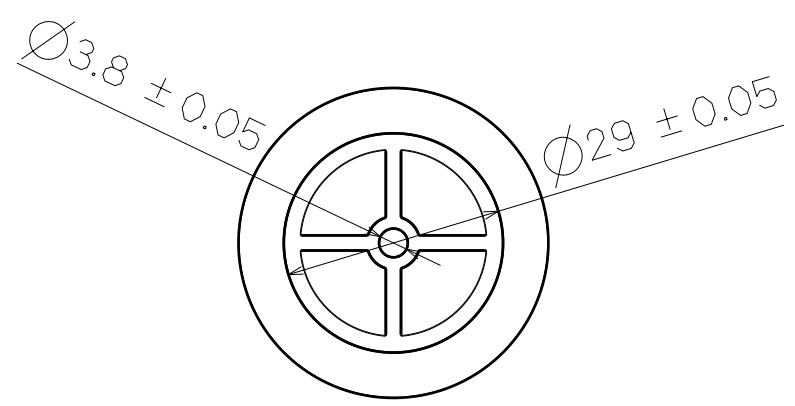
3



Right View




SF728-1



Back View

2

2

This drawing is our property. It can't be reproduced or communicated without our written agreement.		 SHIN FANG PLASTIC INDUSTRIAL CO., LTD.		
DRAWN BY DANIEL CHEN		DATE 2000/1/14		DRAWING TITLE FOOT STAND
CHECKED BY JIMMY CHEN		DATE 2000/1/17		
DESIGNED BY RD		DATE 2000/1		SIZE A3
		SCALE 1:1		DRAWING NUMBER SF728-1
		MATERIAL PVC		REV X
		SHEET 1/1		

H G B A

1

1