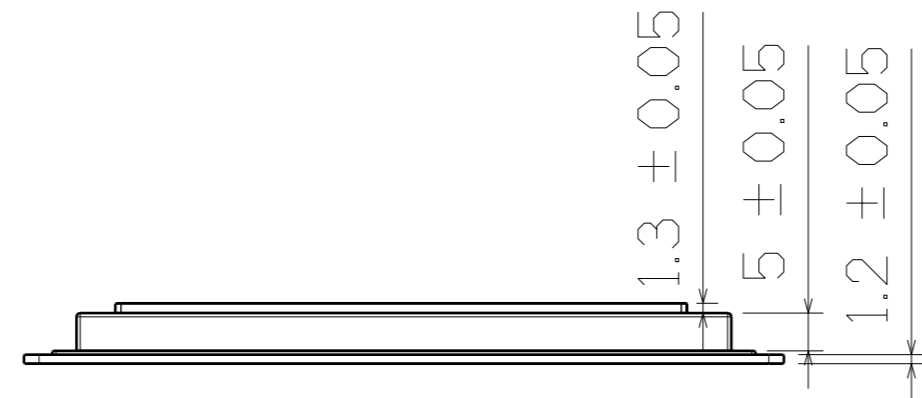
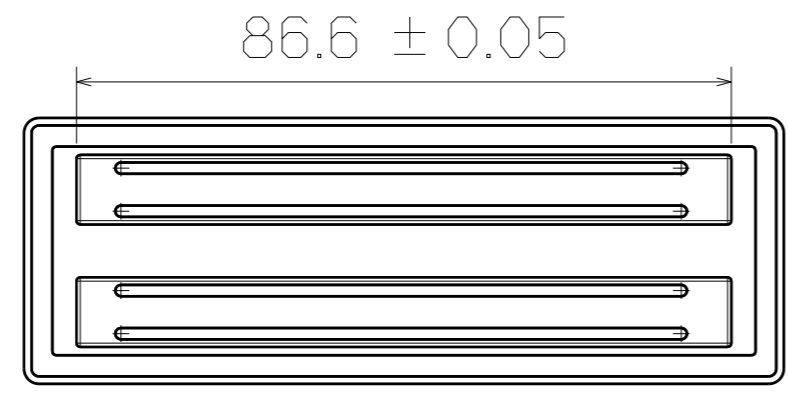


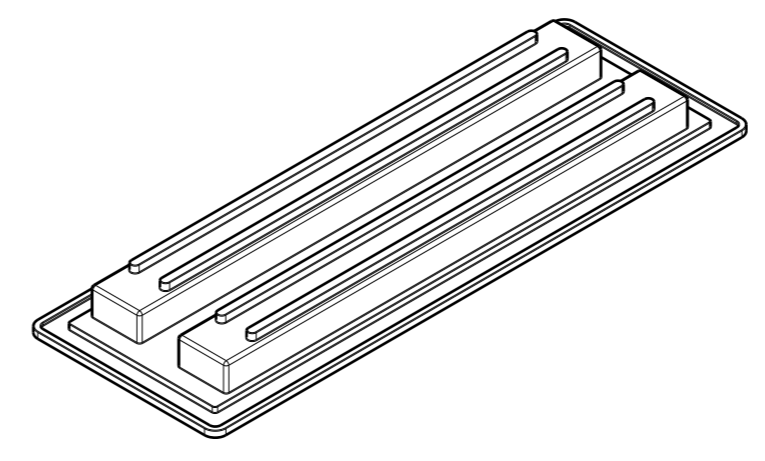
Right View



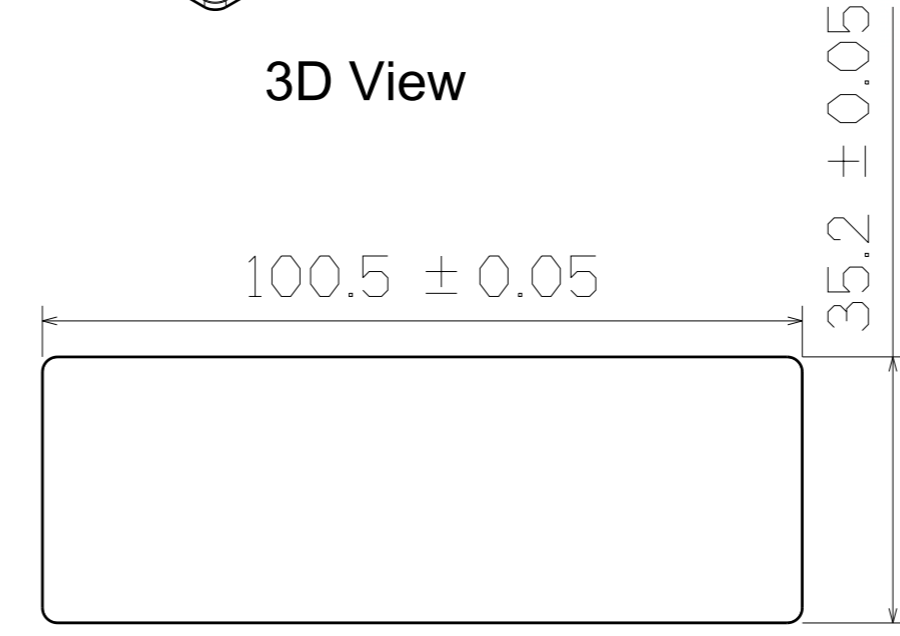
Top View



SF725-3



3D View



Back View



35.2 ± 0.05

This drawing is our property.
It can't be reproduced
or communicated without
our written agreement.



DRAWN BY		DATE		DRAWING TITLE			
DANIEL CHEN		2000/5/9		BOTTOM PAD			
CHECKED BY		DATE		SIZE	DRAWING NUMBER		REV
JIMMY CHEN		2000/5/11		A2	SF725-3		X
DESIGNED BY		DATE		SCALE	MATERIAL	SHEET	1/1
RD		2000/5		1:1	PVC		