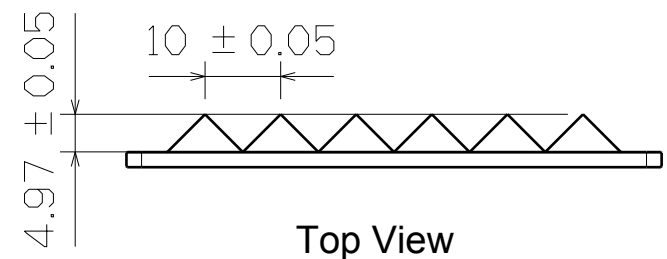


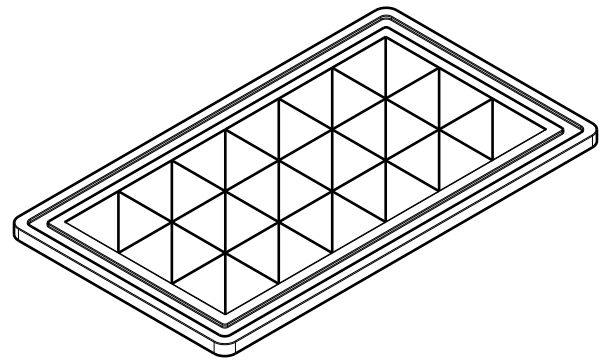
H G F E D C B A

4

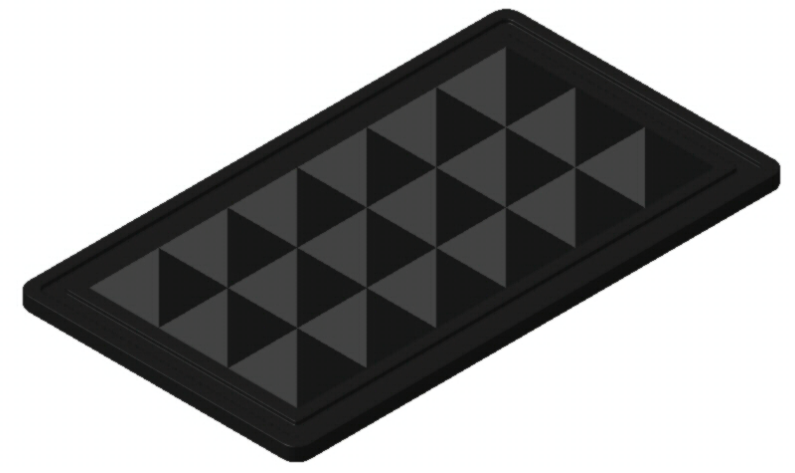
4



Top View

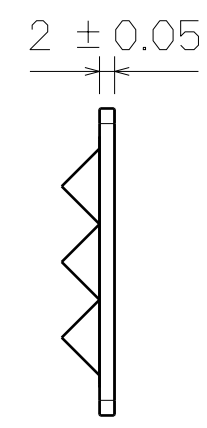


3D View

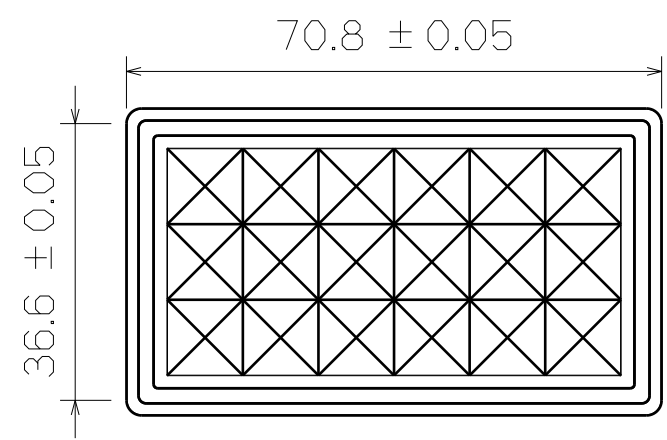


3

3



Right View



SF723-9



Back View

2

2

This drawing is our property.
It can't be reproduced
or communicated without
our written agreement.



**SHIN FANG PLASTIC
INDUSTRIAL CO., LTD.**

DRAWN BY	DATE
DANIEL CHEN	2000/5/4
CHECKED BY	DATE
JIMMY CHEN	2000/5/7
DESIGNED BY	DATE
RD	2000/5

DRAWING TITLE			
BOTTOM PAD			
SIZE	DRAWING NUMBER	REV	
A3	SF723-9	X	
SCALE	1:1	MATERIAL	PVC
SHEET		1/1	

1

1

H G B A