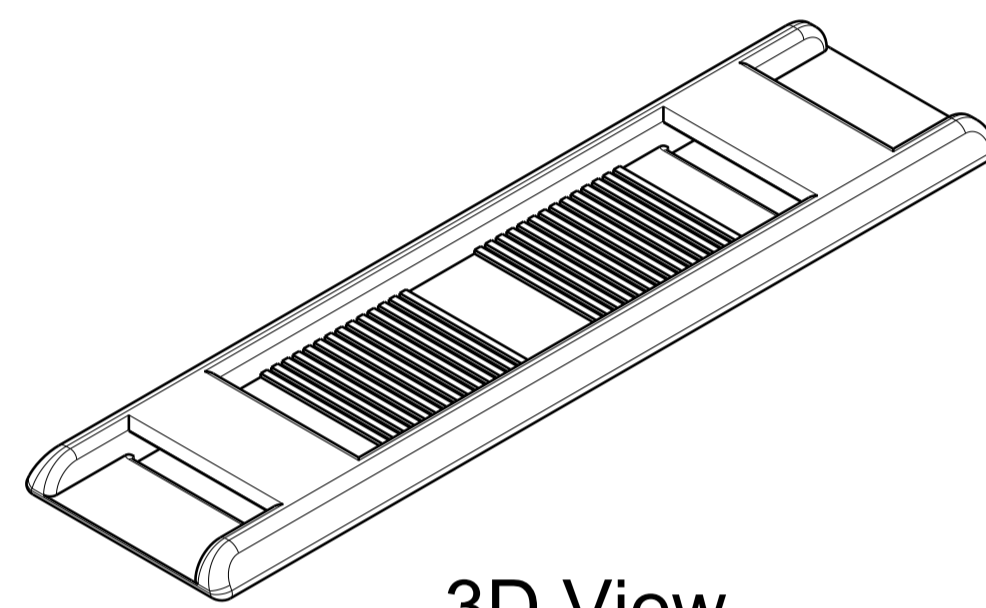
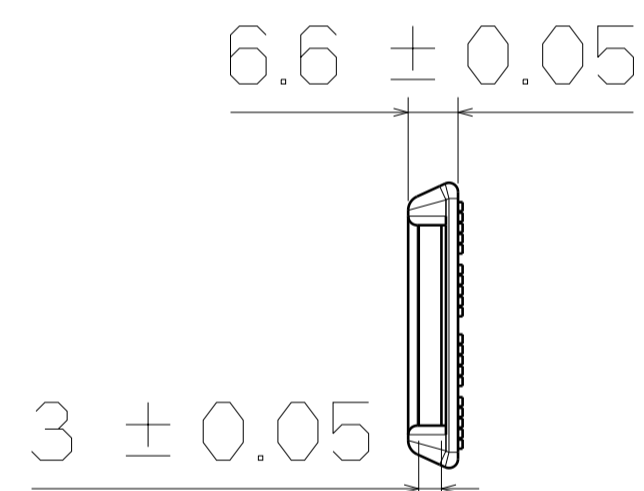


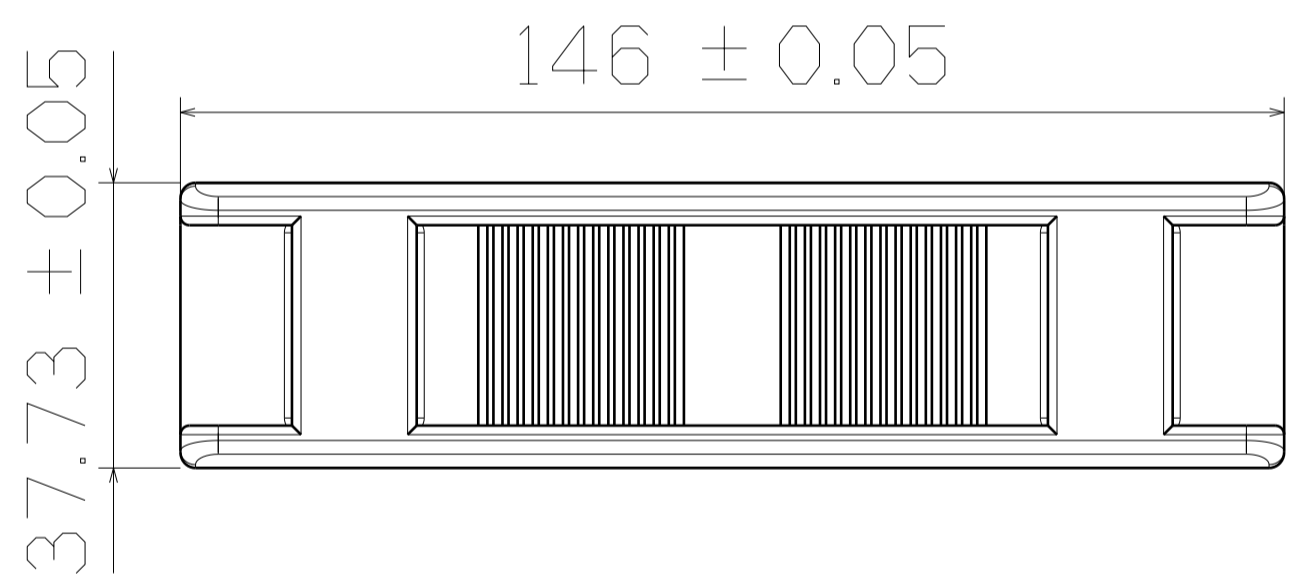
Top View



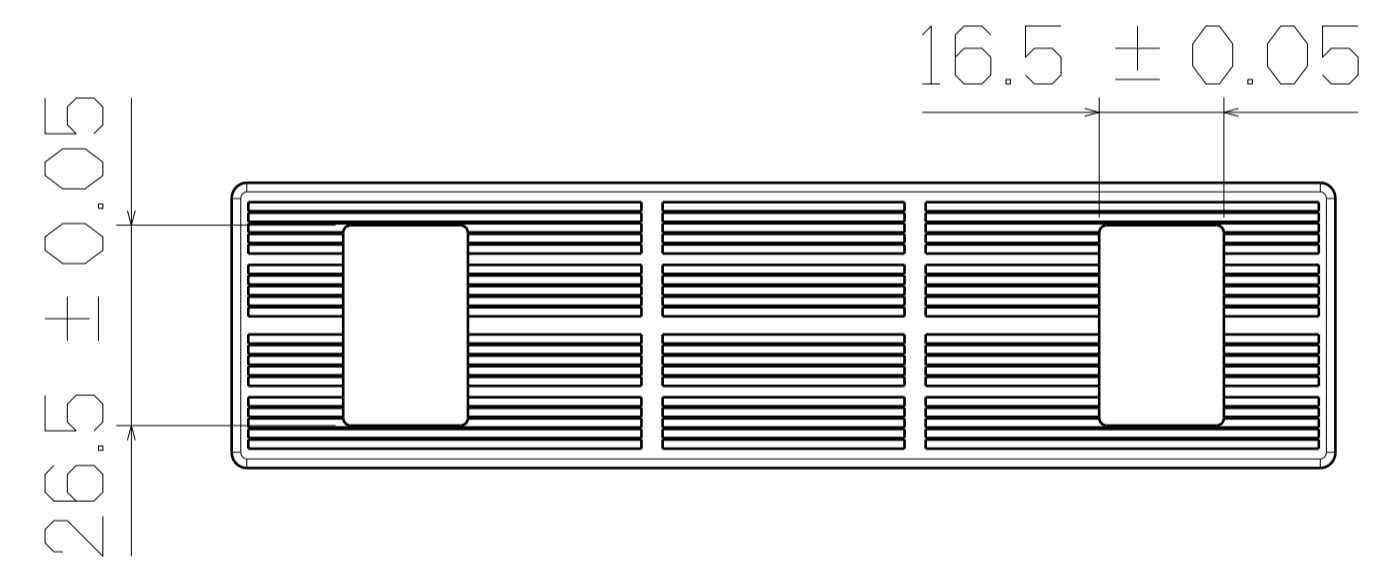
3D View




Right View



SF717-25mm



Back View

|   |          |   |                |       |     |
|---|----------|---|----------------|-------|-----|
| This drawing is our property. It can't be reproduced or communicated without our written agreement. |          |  <b>SHIN FANG PLASTIC INDUSTRIAL CO., LTD.</b> |                |       |     |
| DRAWING TITLE   |          | SQUARE SHOULDER PAD   |                |       |     |
| DRAWN BY  | DATE     | SIZE  | DRAWING NUMBER |       | REV |
| DANIEL CHEN   | 1998/9/5 | A1  | SF717-25MM     |       | X   |
| CHECKED BY  | DATE     | SCALE   | MATERIAL       | SHEET |     |
| JIMMY CHEN  | 1998/9/7 | 1:1   | PVC            |       |     |
| DESIGNED BY   | DATE     |   |                |       |     |
| RD  | 1998/9   |   |                |       | 1/1 |