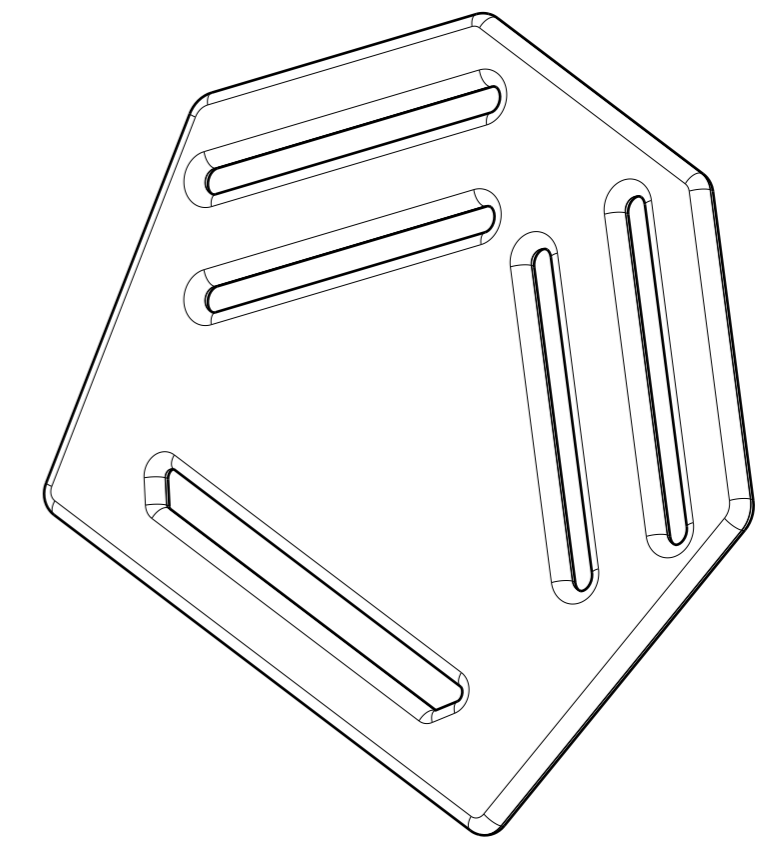
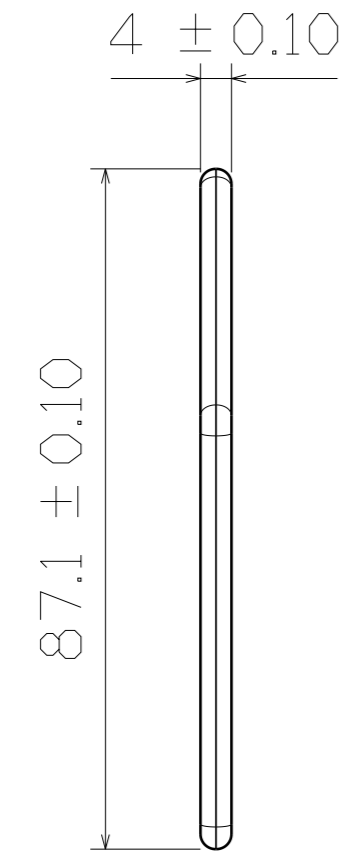


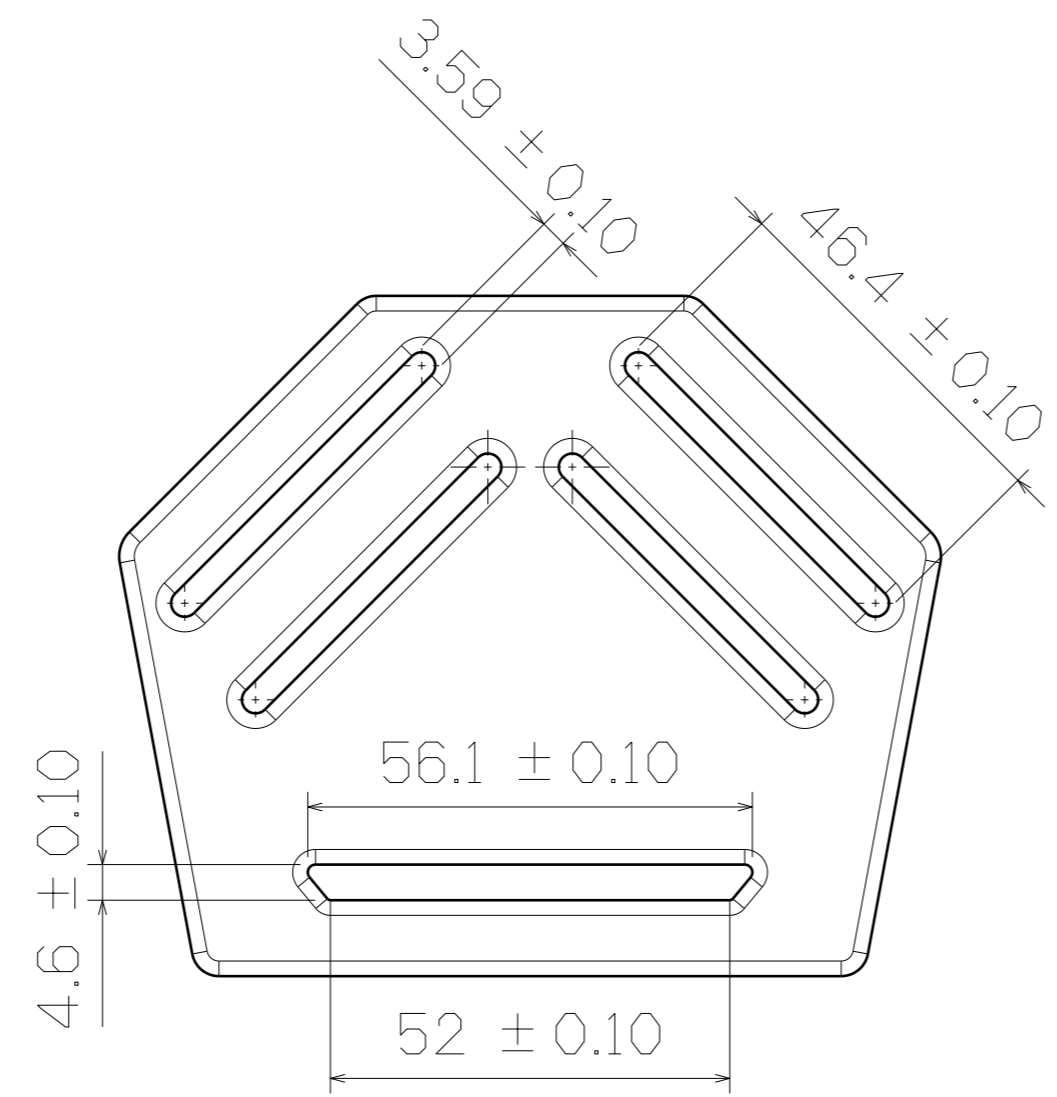
TOP VIEW



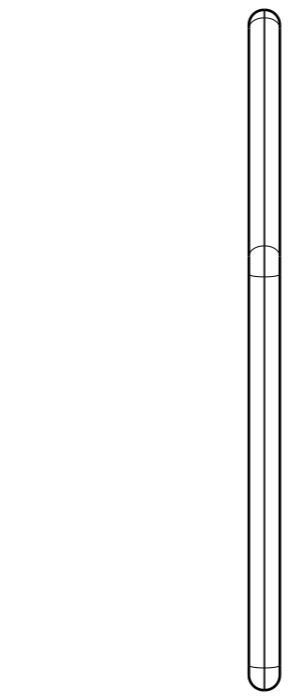
3D VIEW



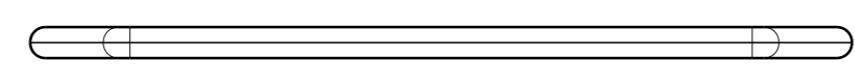
RIGHT VIEW




SF713-3



LEFT VIEW



BOTTOM VIEW

This drawing is our property. It can't be reproduced or communicated without our written agreement.		 <b>欣芳塑膠工業有限公司</b> <b>SHIN FANG PLASTIC INDUSTRIAL CO.,LTD.</b>		
DRAWN BY <b>DANIEL CHEN</b>		DATE 2013/11/1		DRAWING TITLE <b>STRIP DIVIDER</b>
CHECKED BY <b>JIMMY CHEN</b>		DATE 2013/11/1		SIZE <b>A2</b>
DESIGNED BY <b>RD</b>		DATE 2013/11		DRAWING NUMBER <b>SF713-3</b>
SCALE <b>1:1</b>		MATERIAL <b>LDPE</b>		SHEET <b>1/1</b>
		REV <b>X</b>		