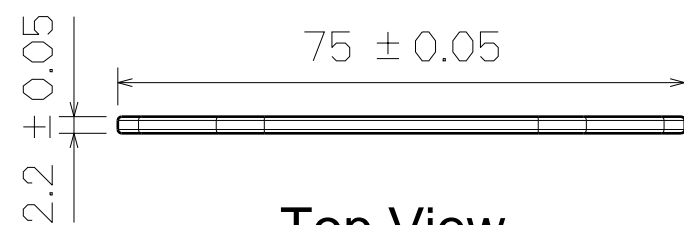


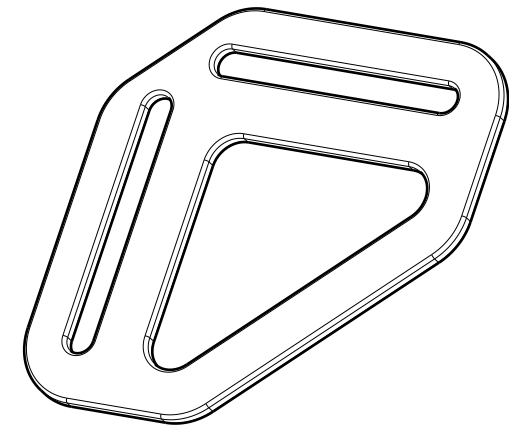
H G F E D C B A

4

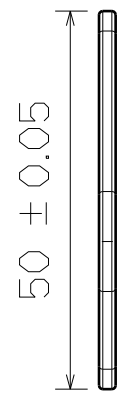
4



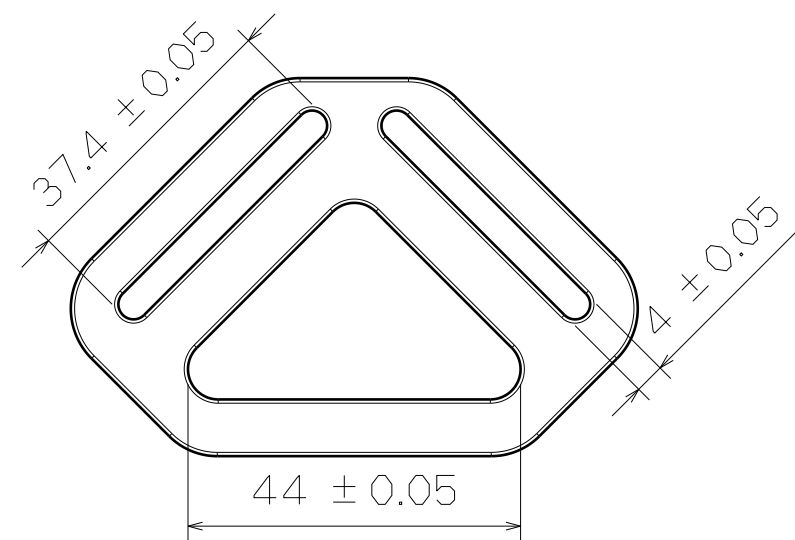
Top View



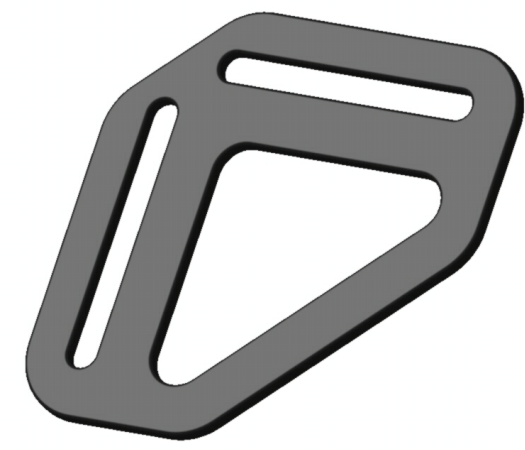
3D View



Right View



SF713-2



3

3

2

2

This drawing is our property.  
It can't be reproduced  
or communicated without  
our written agreement.



**SHIN FANG PLASTIC  
INDUSTRIAL CO., LTD.**

DRAWN BY		DATE		DRAWING TITLE			
BRIAN CHEN		1998/8/5		STRAP DIVIDER			
CHECKED BY		DATE		SIZE	DRAWING NUMBER		REV
JIMMY CHEN		1998/8/7		A3	SF713-2		X
DESIGNED BY		DATE		SCALE	MATERIAL	SHEET	
RD		1998/8		1:1	POM	1/1	

H G B A

1

1