

H

G

F

E

D

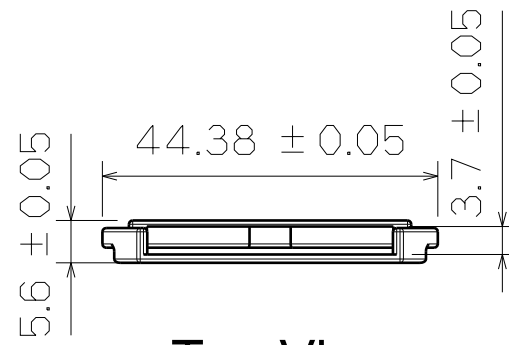
C

B

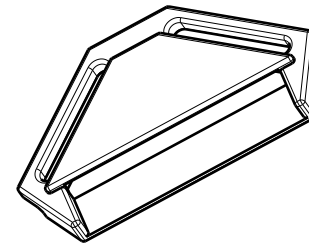
A

4

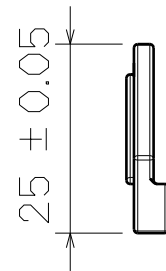
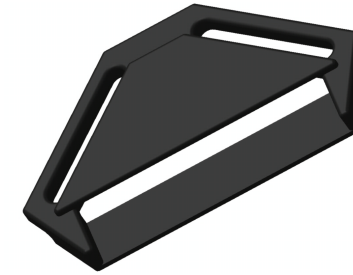
4



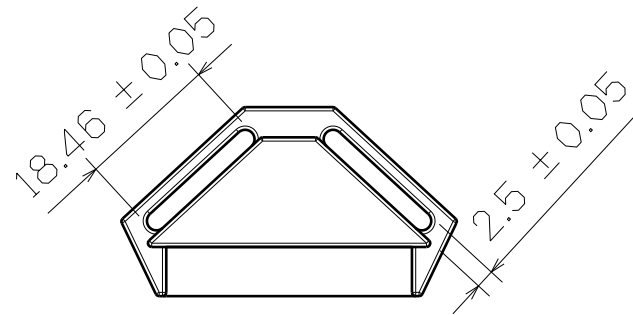
Top View



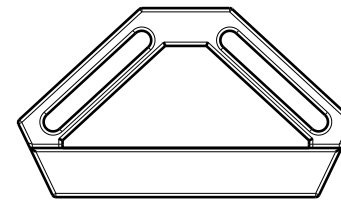
3D View



Right View



SF713-1



Back View

This drawing is our property.
It can't be reproduced
or communicated without
our written agreement.



DRAWING TITLE

DRAWN BY	DATE
DANIEL CHEN	1998/8/5

CHECKED BY	DATE
JIMMY CHEN	1998/8/7

DESIGNED BY	DATE
RD	1998/8

DRAWING NUMBER		REV
SF713-1		X
SCALE	MATERIAL	SHEET
1:1	POM	1/1

H

G

B

A

2

2

3

3

1

1