

D

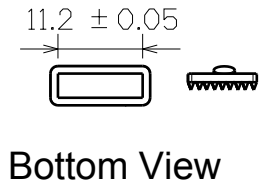
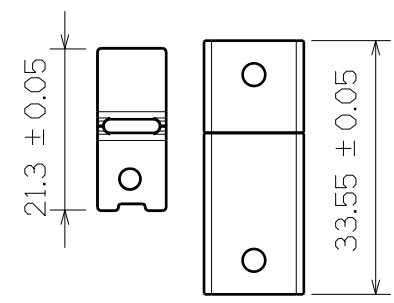
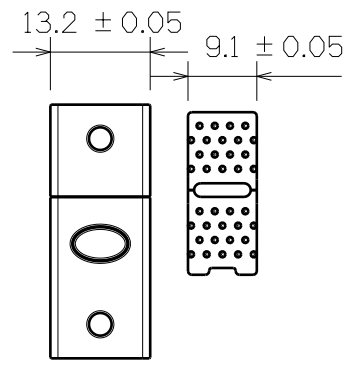
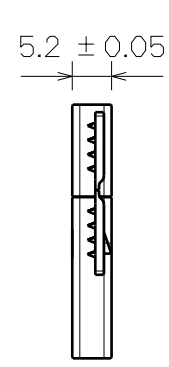
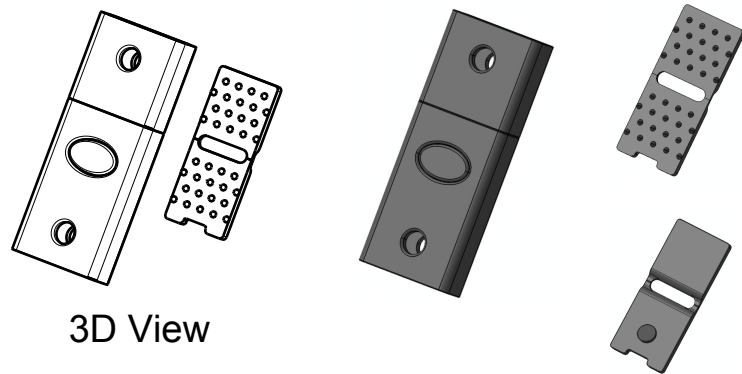
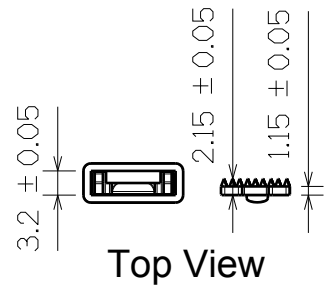
C

B

A

4

4



3

3

2

2

1

1

This drawing is our property.
It can't be reproduced
or communicated without
our written agreement.



DRAWN BY	DATE
BRIAN CHEN	1999/10/9
CHECKED BY	DATE
JIMMY CHEN	1999/10/11
DESIGNED BY	DATE
RD	1999/10

DRAWING TITLE			
SAFETY BREAKAWAY BUCKLE			
SIZE	DRAWING NUMBER		REV
A4	SF670		X
SCALE	MATERIAL	SHEET	1/1
1:1	POM		

D

A