

D

C

B

A

4

4

3

3

2

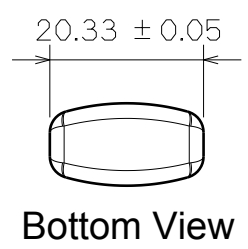
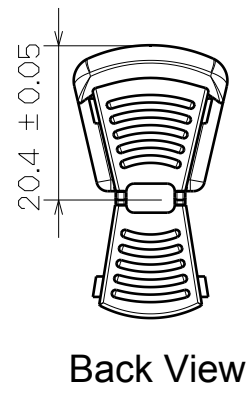
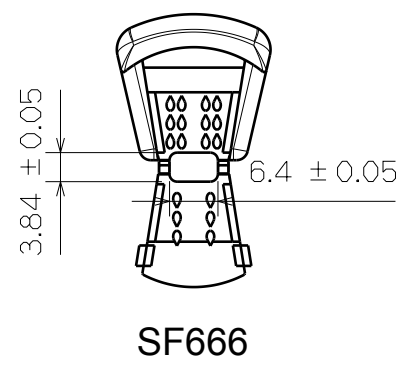
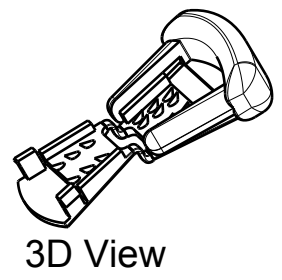
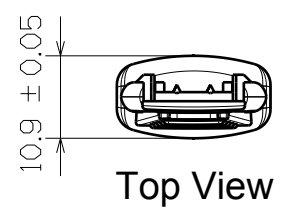
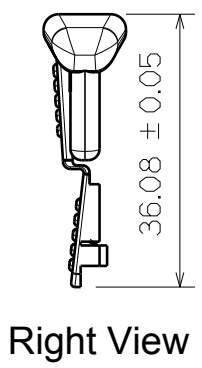
2

1

1

D

A



This drawing is our property.
It can't be reproduced
or communicated without
our written agreement.



**SHIN FANG PLASTIC
INDUSTRIAL CO., LTD.**

DRAWN BY	DATE
BRIAN CHEN	1999/9/5
CHECKED BY	DATE
JIMMY CHEN	1999/9/7
DESIGNED BY	DATE
RD	1999/9

DRAWING TITLE			
CORD END			
SIZE	DRAWING NUMBER		REV
A4	SF666		X
SCALE	1:1	MATERIAL	POM
SHEET			1/1