

D

C

B

A

4

4

3

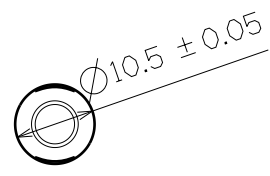
3

2

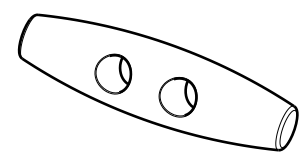
2

1

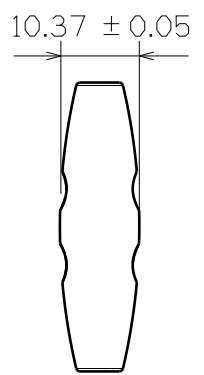
1



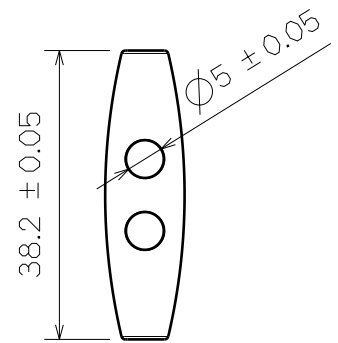
Top View



3D View




Right View



SF645



This drawing is our property. It can't be reproduced or communicated without our written agreement.		 SHIN FANG PLASTIC INDUSTRIAL CO., LTD.			
DRAWING TITLE		CORD END			
DRAWN BY	DATE	SIZE	DRAWING NUMBER		REV
DANIEL CHEN	1999/3/2				X
CHECKED BY	DATE	A4	SF645		X
JIMMY CHEN	1999/3/5				
DESIGNED BY	DATE	SCALE	1:1	MATERIAL	ABS
RD	1999/3	SHEET			1/1

D

A