

D

C

B

A

4

4

3

3

2

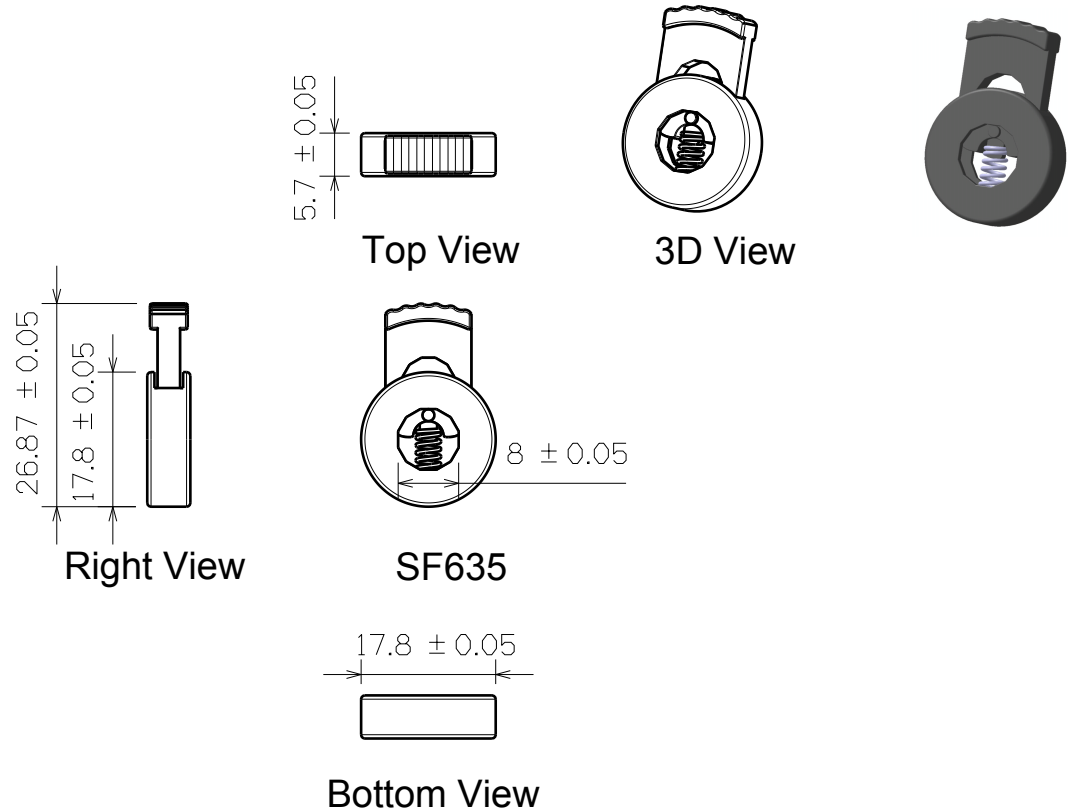
2


1

1

D

A



|   |  |   |  |  |                        |
|---|--|---|--|--|------------------------|
| This drawing is our property. It can't be reproduced or communicated without our written agreement. |  |  <b>SHIN FANG PLASTIC INDUSTRIAL CO., LTD.</b> |  |  |                        |
| DRAWN BY<br><b>DANIEL CHEN</b>  |  | DATE<br>1999/3/2  |  | DRAWING TITLE<br><b>FLAT CORD LOCK</b> |                        |
| CHECKED BY<br><b>JIMMY CHEN</b>   |  | DATE<br>1999/3/5  |  | SIZE<br><b>A4</b>                      | REV<br><b>X</b>        |
| DESIGNED BY<br><b>RD</b>  |  | DATE<br>1999/3  |  | SCALE<br><b>1:1</b>                    | MATERIAL<br><b>ABS</b> |
|   |  |   |  | SHEET<br><b>1/1</b>                    |                        |