

D

C

B

A

4

4

3

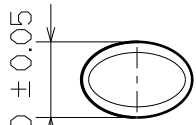
3

2

2

1

1



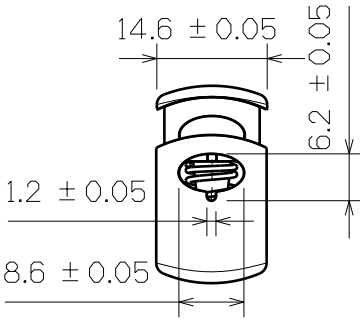
Top View



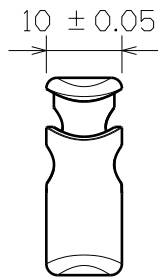
3D View



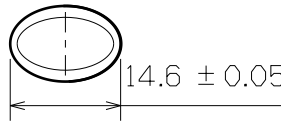
Right View



SF620



Left View



Bottom View

This drawing is our property.  
It can't be reproduced  
or communicated without  
our written agreement.



**SHIN FANG PLASTIC  
INDUSTRIAL CO., LTD.**

DRAWING TITLE

**OVAL CYLINDER CORD LOCK**

DRAWN BY	DATE
<b>DANIEL CHEN</b>	1998/9/5
CHECKED BY	DATE
<b>JIMMY CHEN</b>	1998/9/7
DESIGNED BY	DATE
<b>RD</b>	1998/9

SIZE	DRAWING NUMBER		REV
<b>A4</b>	<b>SF620</b>		<b>X</b>
SCALE	MATERIAL	SHEET	
<b>1:1</b>	<b>POM</b>	<b>1/1</b>	

D

A