

D

C

B

A

4

4

3

3

2

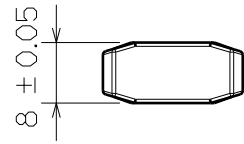
2

1

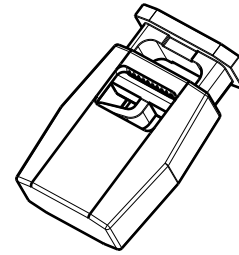
1

D

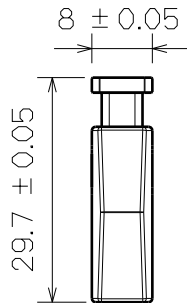
A



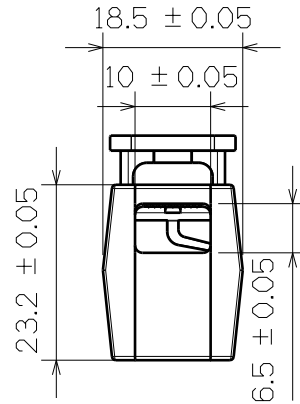
Top View



3D View



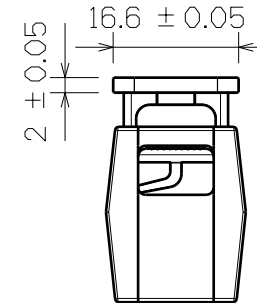
Right View



SF618



Left View



Back View

This drawing is our property.  
It can't be reproduced  
or communicated without  
our written agreement.



**SHIN FANG PLASTIC  
INDUSTRIAL CO., LTD.**

DRAWING TITLE

**FLAT CORD LOCK**

DRAWN BY  
**DANIEL CHEN**

DATE  
1998/8/9

CHECKED BY  
**JIMMY CHEN**

DATE  
1998/8/11

DESIGNED BY  
**RD**

DATE  
1998/8

SIZE

**A4**

DRAWING NUMBER

**SF618**

REV

**X**

SCALE **1:1**

MATERIAL **POM**

SHEET

**1/1**