

D

C

B

A

4

4

3

3

2

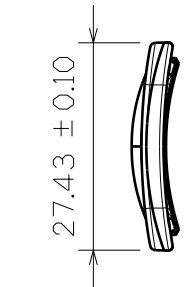
2

1

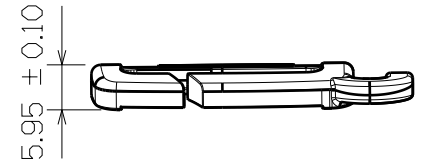
1

D

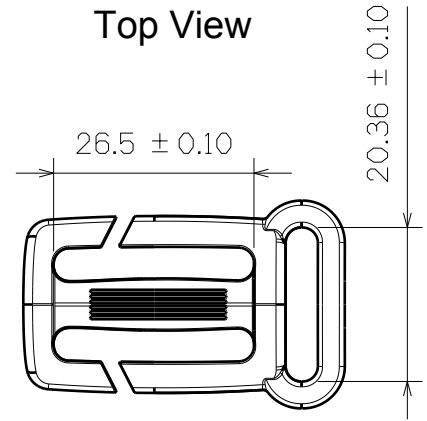
A



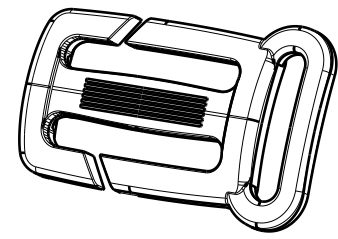
Right Side View



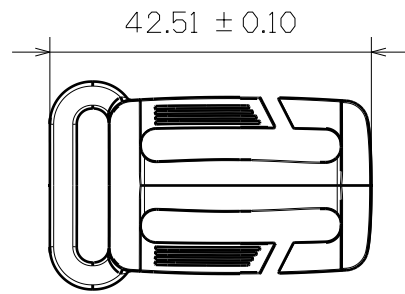
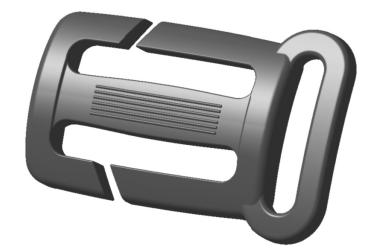
Top View



SF522-25*20MM



3D View



Back View

This drawing is our property.
It can't be reproduced
or communicated without
our written agreement.



**SHIN FANG PLASTIC
INDUSTRIAL CO., LTD.**

DRAWN BY	DATE
BRIAN CHEN	2009/5/20
CHECKED BY	DATE
JIMMY CHEN	2009/5/21
DESIGNED BY	DATE
RD	xxx

DRAWING TITLE				
SLIDE+SINGLE LOOP				
SIZE	DRAWING NUMBER			REV
A4	SF522-25*20MM			X
SCALE	1:1	MATERIAL	POM	SHEET
				1/1