

D

C

B

A

4

4

3

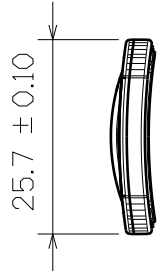
3

2

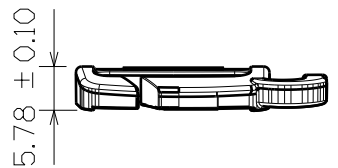
2

1

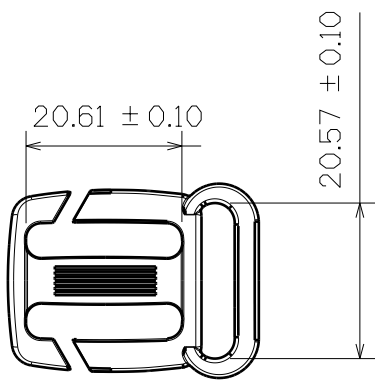
1



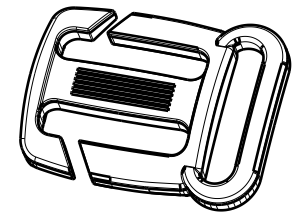
Right Side View



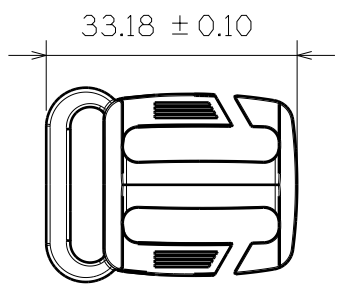
Top View



SF522-20*20MM



3D View



Back View

This drawing is our property.
It can't be reproduced
or communicated without
our written agreement.



**SHIN FANG PLASTIC
INDUSTRIAL CO., LTD.**

DRAWN BY	DATE
BRIAN CHEN	2009/5/16
CHECKED BY	DATE
JIMMY CHEN	2009/5/16
DESIGNED BY	DATE
RD	XXX

DRAWING TITLE			
SLIDE+SINGLE LOOP			
SIZE	DRAWING NUMBER		REV
A4	SF522-20*20MM		X
SCALE	MATERIAL	SHEET	
1:1	POM	1/1	

D

A