

D

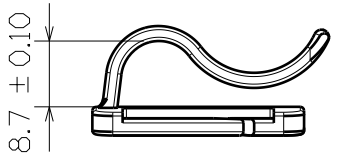
C

B

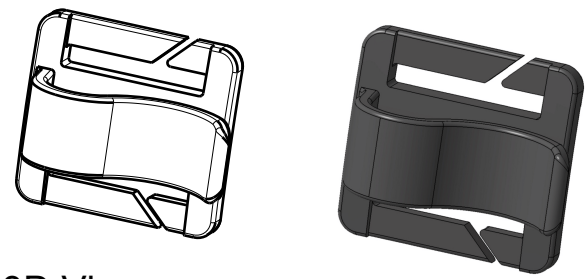
A

4

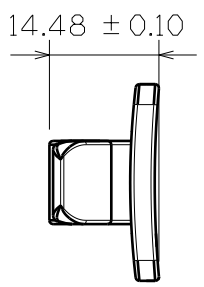
4



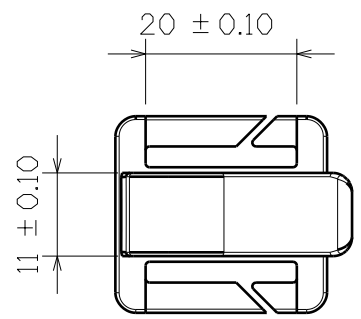
Top View



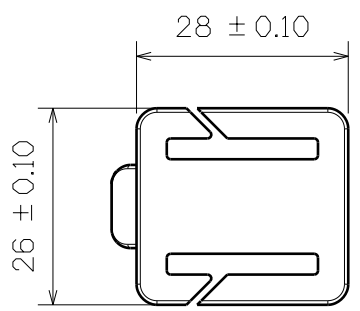
3D View



Right Side View



SF521-20MM



Back View

3

3

2

2

1

1

This drawing is our property.
It can't be reproduced
or communicated without
our written agreement.



DRAWING TITLE				
SLIDE+CLIP				
DRAWN BY	DATE	SIZE	DRAWING NUMBER	REV
BRIAN CHEN	2009/5/16	A4	SF521-20MM	X
CHECKED BY	DATE	SCALE	MATERIAL	SHEET
JIMMY CHEN	2009/5/16	1:1	POM	1/1
DESIGNED BY	DATE			
RD	xxx			

D

A