

H

G

F

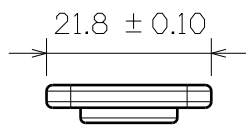
E

D

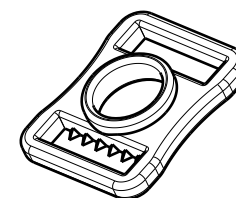
C

B

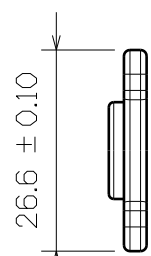
A



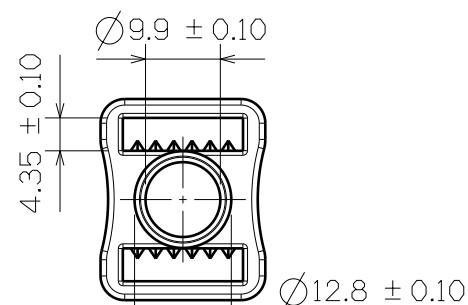
Top View



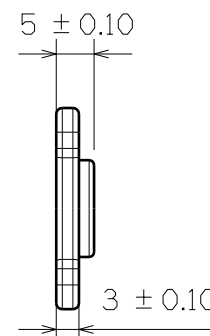
3D View



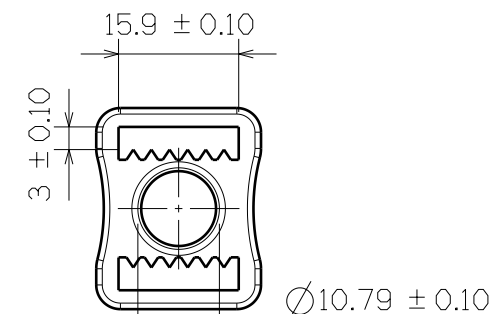
Right View



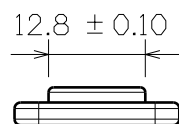
SF518-16MM



Left View



Back View



Bottom View

This drawing is our property.  
It can't be reproduced  
or communicated without  
our written agreement.



DRAWING TITLE

DRAWN BY	DATE
DANIEL CHEN	2006/8/7
CHECKED BY	DATE
JIMMY CHEN	2006/8/9
DESIGNED BY	DATE
RD	2006/8

DRAWING NUMBER		REV
SF518-16MM		X
SCALE	MATERIAL	SHEET
1:1	POM	1/1

4

4

3

3

2

2

1

1

H

G

B

A