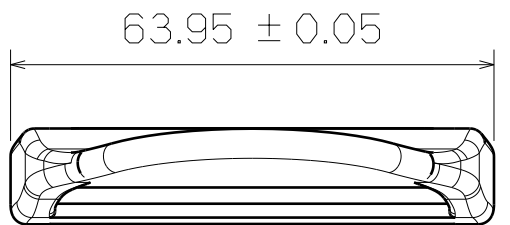


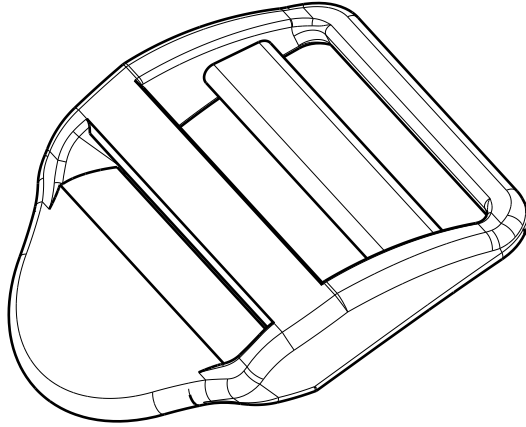
H G F E D C B A

4

4



Top View

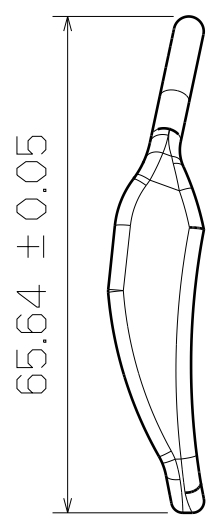


3D View

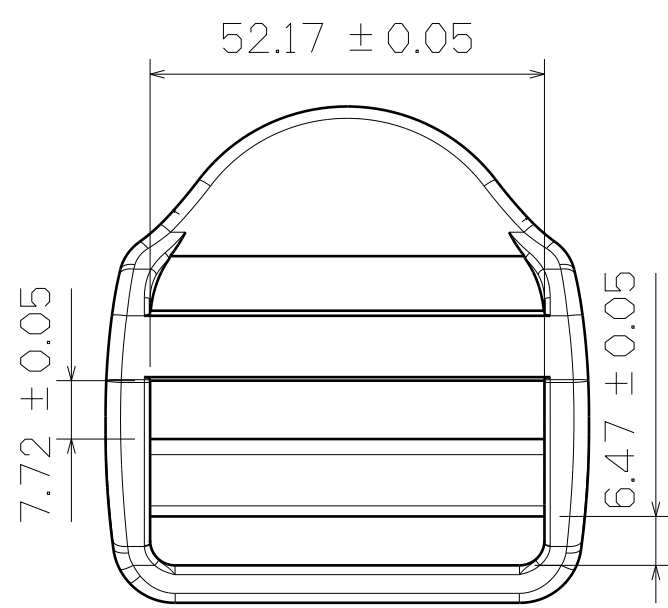


3

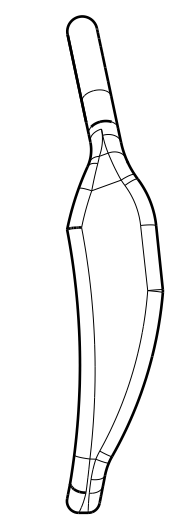
3



Right View



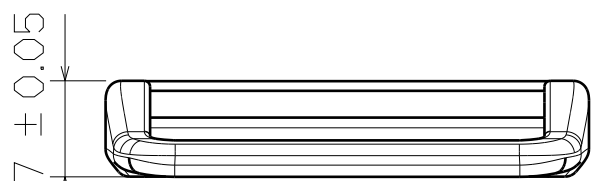
SF517-51mm



Left View

2

2



Bottom View

1

1

This drawing is our property.
It can't be reproduced
or communicated without
our written agreement.



**SHIN FANG PLASTIC
INDUSTRIAL CO., LTD.**

DRAWN BY	DATE
DANIEL CHEN	1998/8/7
CHECKED BY	DATE
JIMMY CHEN	1998/8/9
DESIGNED BY	DATE
RD	1998/8

DRAWING TITLE			
TENSION LOCK			
SIZE	DRAWING NUMBER	REV	
A3	SF517-51MM	X	
SCALE	1:1	MATERIAL	POM
		SHEET	1/1

H G B A