

D

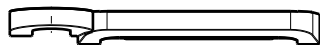
C

B

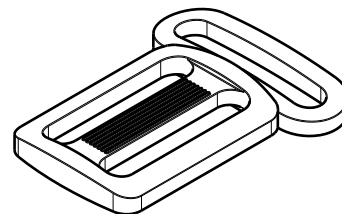
A

4

4



Top View

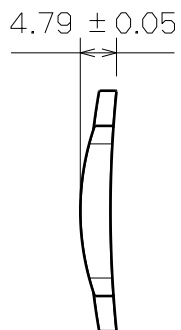


3D View

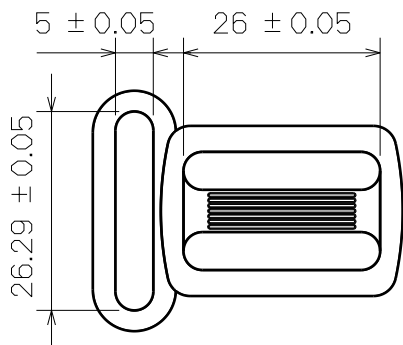


3

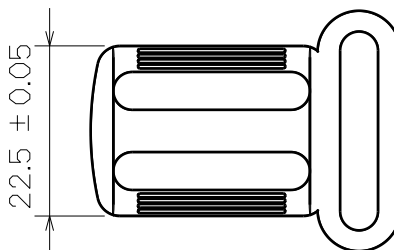
3



Right View



SF514-25mm



Back View

2

2

1

1

This drawing is our property. It can't be reproduced or communicated without our written agreement.



SHIN FANG PLASTIC INDUSTRIAL CO., LTD.

DRAWING TITLE

SLIDE+SINGLE LOOP

DRAWN BY DANIEL CHEN

DATE 1998/5/4

CHECKED BY JIMMY CHEN

DATE 1998/5/7

DESIGNED BY RD

DATE 1998/5

SIZE A4

DRAWING NUMBER SF514-25MM

REV X

SCALE 1:1 MATERIAL POM SHEET 1/1

D

A