

D

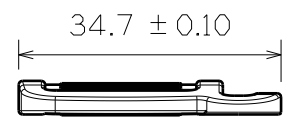
C

B

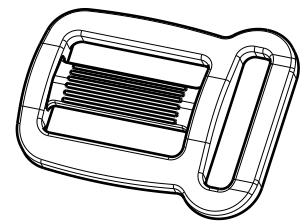
A

4

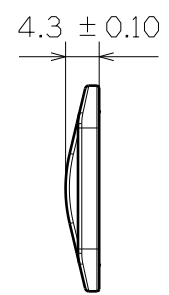
4



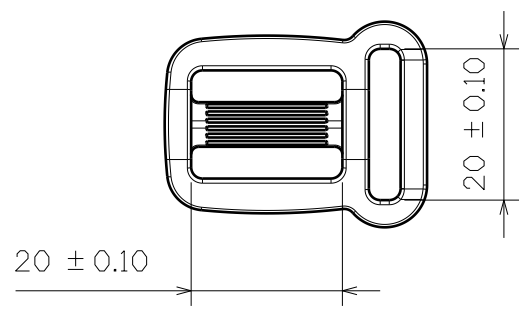
Top View



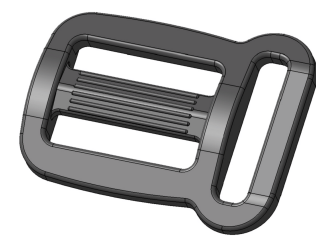
3D View



Right Side View



SF514-20*20MM



3

3

2

2

1

1

This drawing is our property.
It can't be reproduced
or communicated without
our written agreement.



**SHIN FANG PLASTIC
INDUSTRIAL CO., LTD.**

DRAWN BY	DATE
BRIAN CHEN	2009/5/15
CHECKED BY	DATE
JIMMY CHEN	2009/5/16
DESIGNED BY	DATE
RD	xxx

DRAWING TITLE			
SLIDE+SINGLE LOOP			
SIZE	DRAWING NUMBER		REV
A4	SF514-20+20MM		X
SCALE	MATERIAL	SHEET	
1:1	POM	1/1	

D

A