

D

C

B

A

4

4

3

3

2

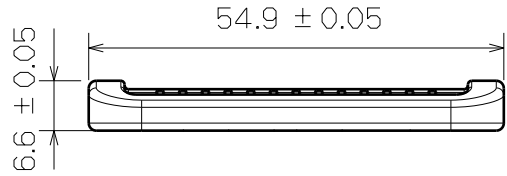
2

1

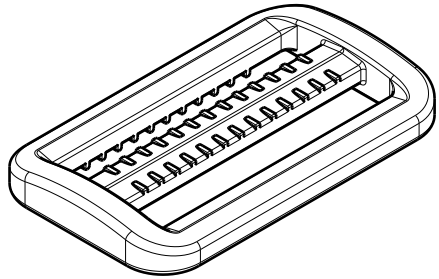
1

D

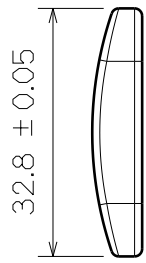
A



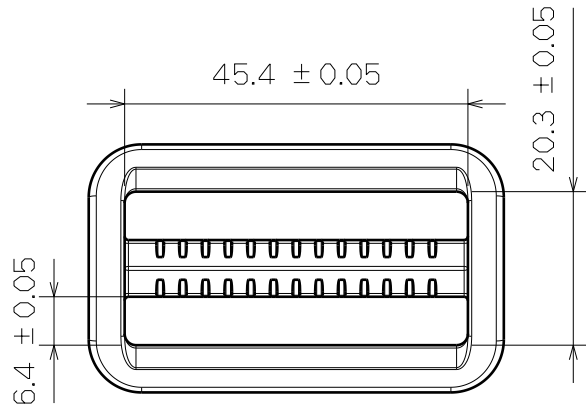
Top View



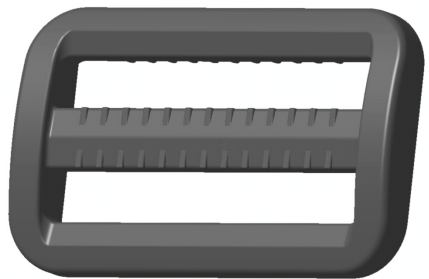
3D View



Right View



SF512-45mm



This drawing is our property.
It can't be reproduced
or communicated without
our written agreement.



DRAWN BY	DATE
DANIEL CHEN	1998/5/4
CHECKED BY	DATE
JIMMY CHEN	1998/5/7
DESIGNED BY	DATE
RD	1998/5

DRAWING TITLE			
SLIDE			
SIZE	DRAWING NUMBER	REV	
A4	SF512-45MM	X	
SCALE	1:1	MATERIAL	POM
SHEET		1/1	