

D

C

B

A

4

4

3

3

2

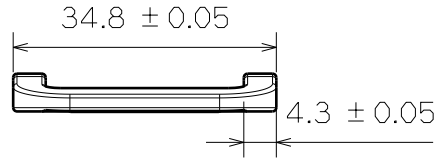
2

1

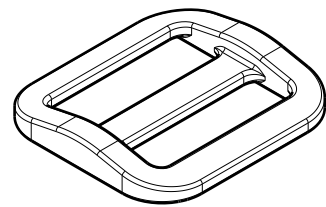
1

D

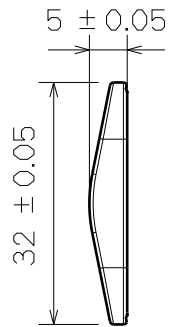
A



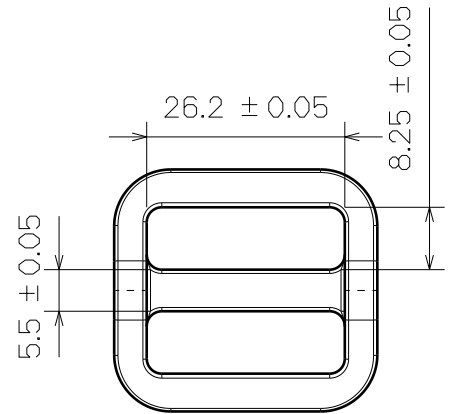
Top View



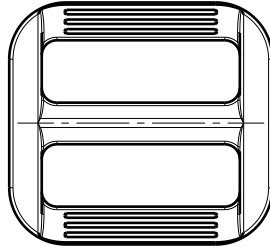
3D View




Right View



SF510-25mm



Back View

| | | | | | |
|---|--|---|------------------------|-------------------------------------|-----------------|
| This drawing is our property. It can't be reproduced or communicated without our written agreement. | |  SHIN FANG PLASTIC INDUSTRIAL CO., LTD. | | | |
| DRAWN BY DANIEL CHEN | | DATE 2000/5/4 | | DRAWING TITLE SLIDE | |
| CHECKED BY JIMMY CHEN | | DATE 2000/5/7 | | SIZE A4 | REV X |
| DESIGNED BY RD | | DATE 2000/5 | | DRAWING NUMBER SF510-25MM | |
| | | SCALE 1:1 | MATERIAL POM | SHEET 1/1 | |