

D

C

B

A

4

4

3

3

2

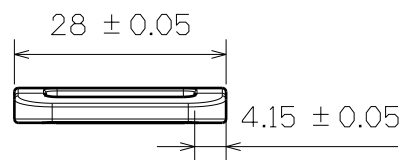
2

1

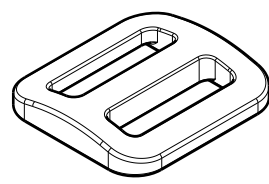
1

D

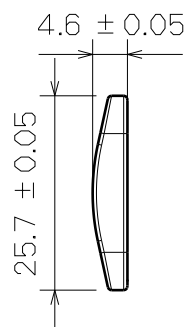
A



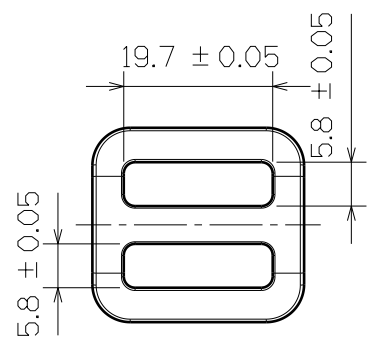
Top View



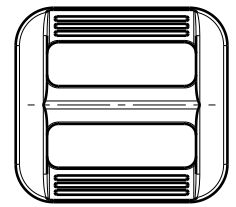
3D View



Right View



SF510-20mm



Back View

This drawing is our property.
It can't be reproduced
or communicated without
our written agreement.



**SHIN FANG PLASTIC
INDUSTRIAL CO., LTD.**

DRAWN BY DANIEL CHEN		DATE 2000/5/4	DRAWING TITLE SLIDE		
CHECKED BY JIMMY CHEN	DATE 2000/5/8	SIZE A4	DRAWING NUMBER SF510-20MM		REV X
DESIGNED BY RD	DATE 2000/5	SCALE 1:1	MATERIAL POM	SHEET 1/1	