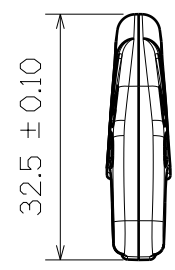


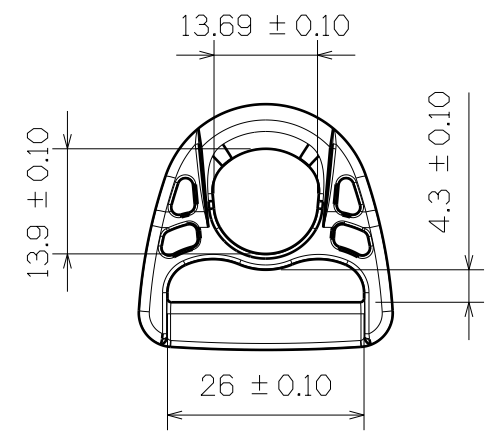
Top View



3D View



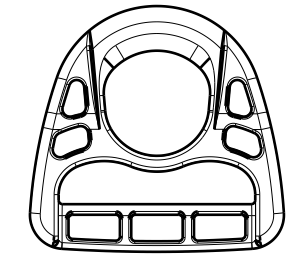
Right View



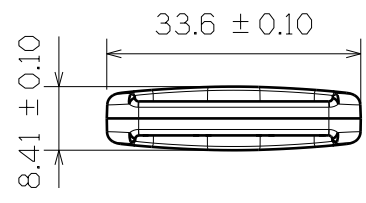
SF444-25mm



Left View



Back View



Bottom View

| | | | | | |
|---|--|---|--|--------------------------------|------------------------|
| This drawing is our property. It can't be reproduced or communicated without our written agreement. | |  欣芳塑膠工業有限公司 SHIN FANG PLASTIC INDUSTRIAL CO.,LTD. | | | |
| DRAWN BY DANIEL CHEN | | DATE 2014/1/24 | | DRAWING TITLE D-RING | |
| CHECKED BY JIMMY CHEN | | DATE 2014/1/24 | | SIZE A3 | REV X |
| DESIGNED BY RD | | DATE 2014/1 | | SCALE 1:1 | MATERIAL POM |
| | | | | SHEET 1/1 | |