

D

C

B

A

4

4

3

3

2

2

1

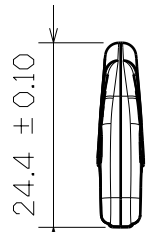
1



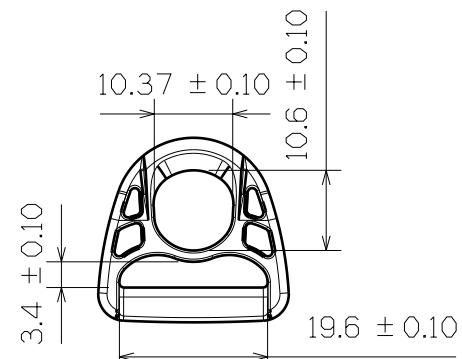
Top View



3D View



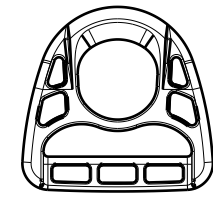
Right View



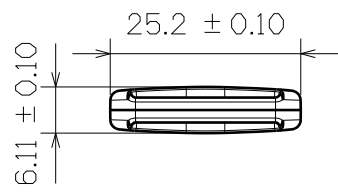
SF444-20mm



Left View



Back View



Bottom View

This drawing is our property. It can't be reproduced or communicated without our written agreement.



欣芳塑膠工業有限公司
SHIN FANG PLASTIC INDUSTRIAL CO.,LTD.

DRAWING TITLE

DRAWN BY
DANIEL CHEN

DATE
2014/1/24

D-RING

CHECKED BY
JIMMY CHEN

DATE
2014/1/24

SIZE **A4** DRAWING NUMBER **SF444-20MM** REV **X**

DESIGNED BY
RD

DATE
2014/1

SCALE **1:1** MATERIAL **POM** SHEET **1/1**

D

A