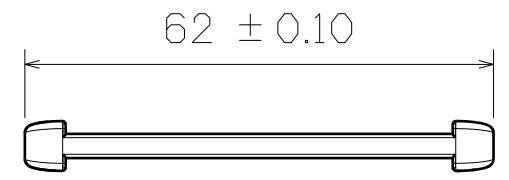


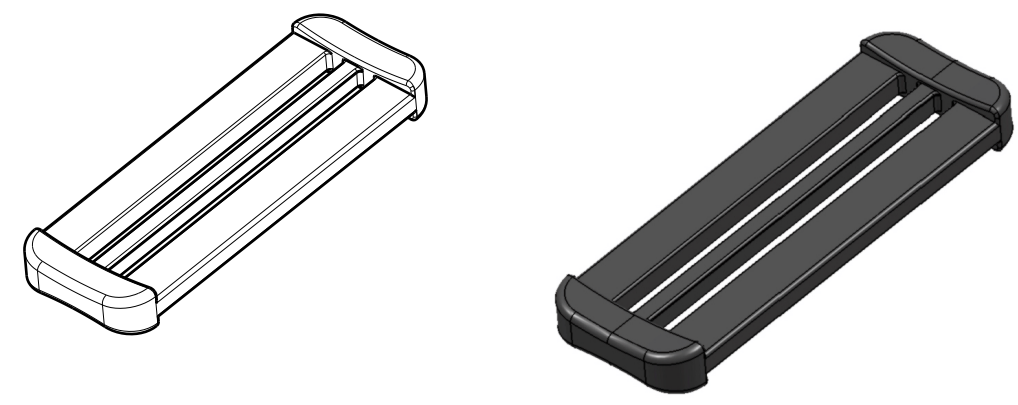
H G F E D C B A

4

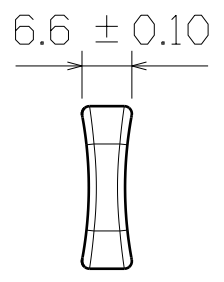
4



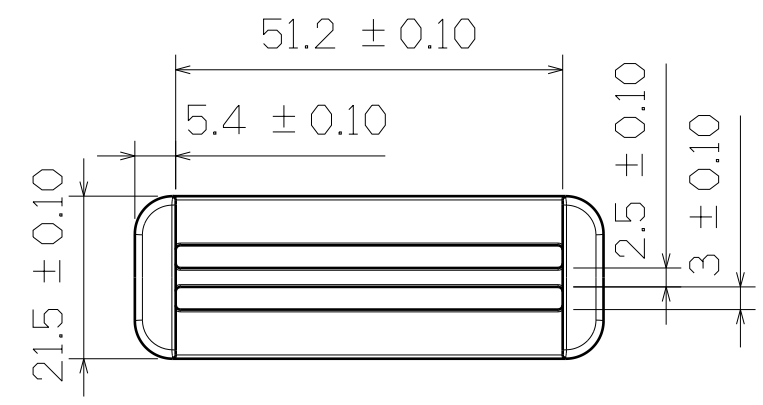
Top View



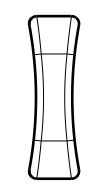
3D View



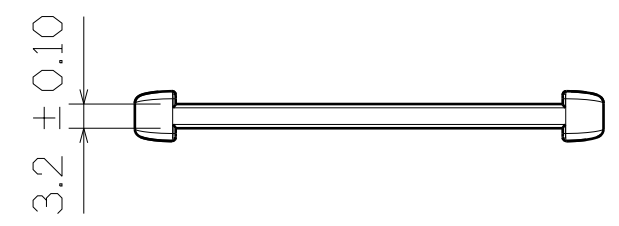
Right View



SF440-51mm



Left View



Bottom View

This drawing is our property.
It can't be reproduced
or communicated without
our written agreement.



**SHIN FANG PLASTIC
INDUSTRIAL CO., LTD.**

DRAWN BY DANIEL CHEN		DATE 2010/5/5	DRAWING TITLE LOOP		
CHECKED BY JIMMY CHEN		DATE 2010/5/5	SIZE A3	DRAWING NUMBER SF440-51MM	REV X
DESIGNED BY RD		DATE 2010/5	SCALE 1:1	MATERIAL POM	SHEET 1/1

3

3

2

2

1

1

H G F E D C B A