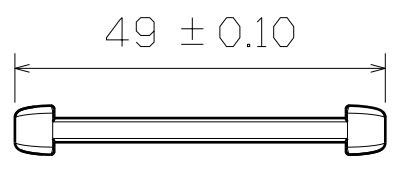


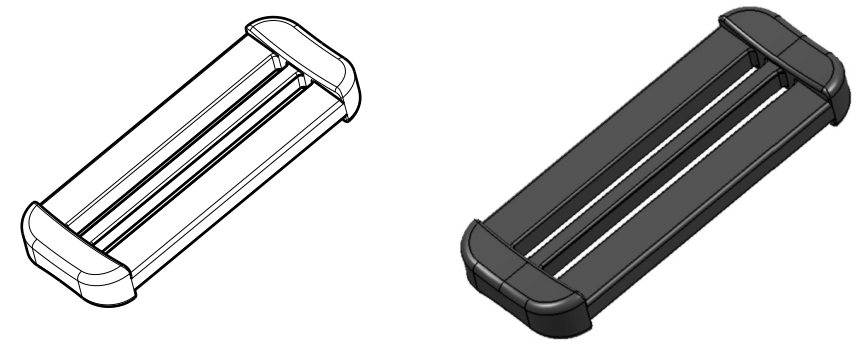
H G F E D C B A

4

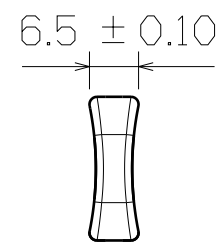
4



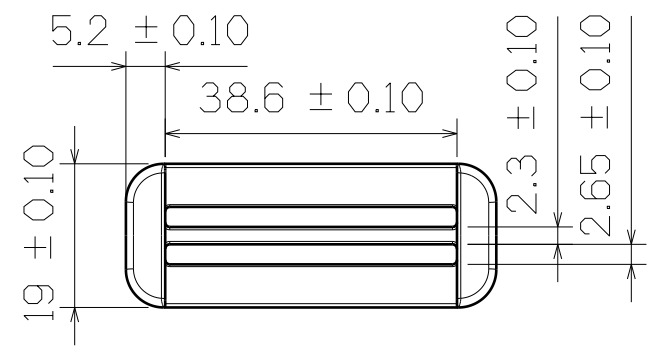
Top View



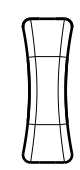
3D View



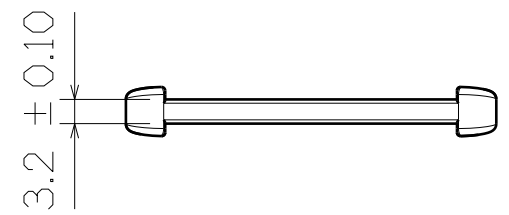
Right View



SF440-38mm



Left View



Bottom View

3


3

2

2

1

1

This drawing is our property. It can't be reproduced or communicated without our written agreement.		 <b>SHIN FANG PLASTIC INDUSTRIAL CO., LTD.</b>			
DRAWN BY <b>DANIEL CHEN</b>		DATE 2010/5/5		DRAWING TITLE <b>LOOP</b>	
CHECKED BY <b>JIMMY CHEN</b>		DATE 2010/5/5		SIZE <b>A3</b>	REV <b>X</b>
DESIGNED BY <b>RD</b>		DATE 2010/5		SCALE <b>1:1</b>	MATERIAL <b>POM</b>
				SHEET <b>1/1</b>	

H G B A