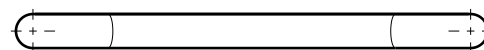
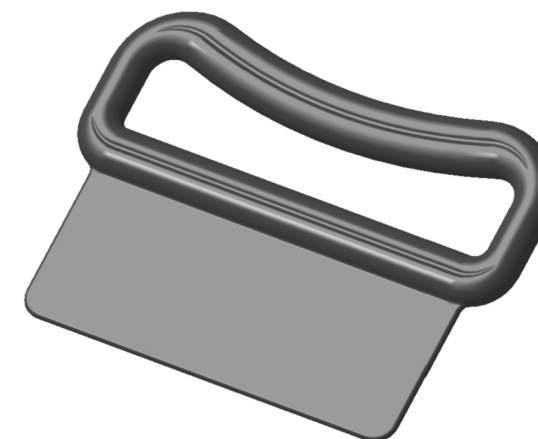
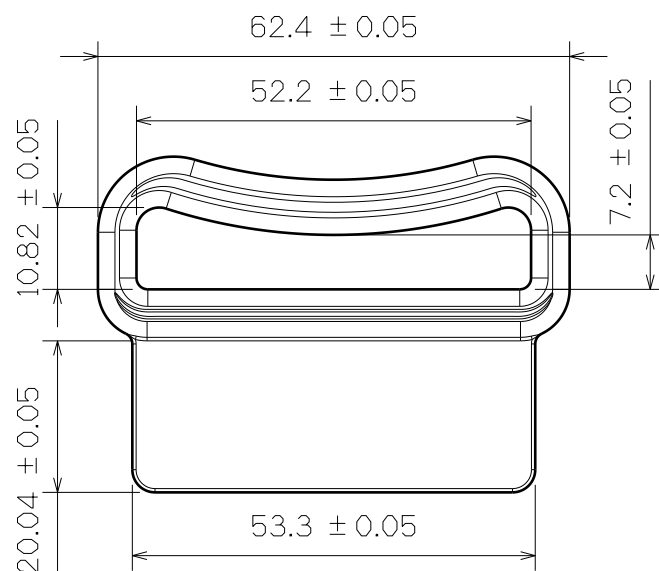


3D View



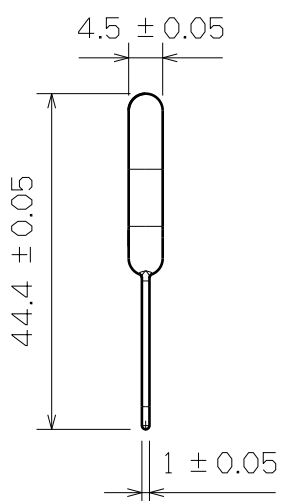
Top View



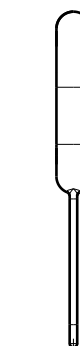
SF436-51mm




Bottom View



Right View



Left View

This drawing is our property. It can't be reproduced or communicated without our written agreement.		 SHIN FANG PLASTIC INDUSTRIAL CO., LTD.			
DRAWN BY		DATE		DRAWING TITLE	
DANIEL CHEN		2009/3/23		SEWABLE LOOP	
CHECKED BY		DATE		SIZE	DRAWING NUMBER
JIMMY CHEN		2009/3/23		A3	SF436-51MM
DESIGNED BY		DATE		SCALE	MATERIAL
RD		2009/3		1:1	PE
				SHEET	1/1

4

4

3

3

2

2

1

1

H

G

F

E

D

C

B

A

H

G

B

A