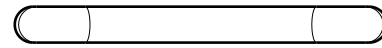
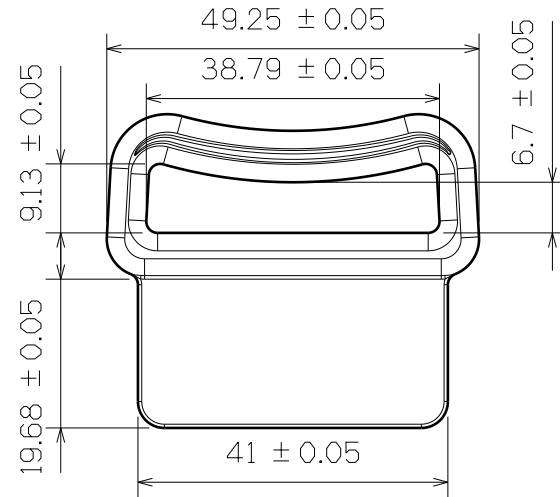


3D View



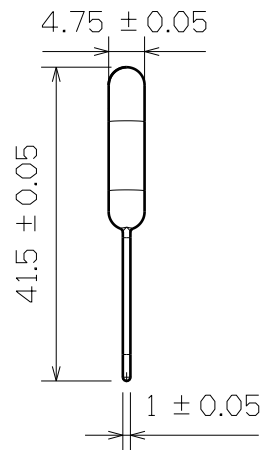
Top View



SF436-38mm



Left View



Right View



Bottom View

This drawing is our property.
It can't be reproduced
or communicated without
our written agreement.

 **SHIN FANG PLASTIC
INDUSTRIAL CO., LTD.**

DRAWING TITLE

DRAWN BY	DATE
DANIEL CHEN	2009/3/23
CHECKED BY	DATE
JIMMY CHEN	2009/3/23
DESIGNED BY	DATE
RD	2009/3

DRAWING NUMBER		REV
A3		X
SCALE	MATERIAL	SHEET
1:1	PE	1/1

SEWABLE LOOP

SF436-38MM

H G F E D C B A

4

4

3

3

2

2

1

1

H G B A