

H

G

F

E

D

C

B

A

4

4

3

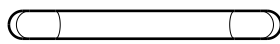
3

2

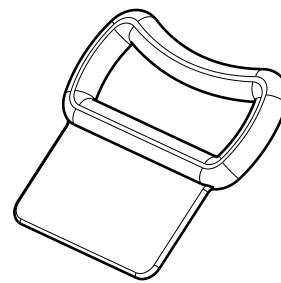
2

1

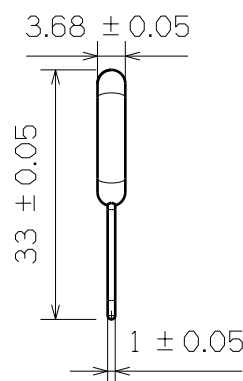
1



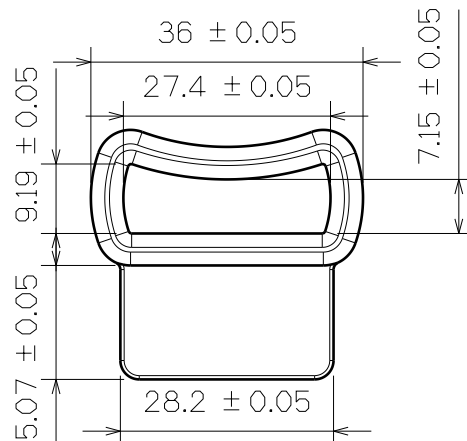
Top View



3D View



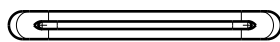
Right View




SF436-25mm



Left View



Bottom View

This drawing is our property. It can't be reproduced or communicated without our written agreement.		 SHIN FANG PLASTIC INDUSTRIAL CO., LTD.			
DRAWN BY		DATE		DRAWING TITLE	
DANIEL CHEN		2009/3/23		SEWABLE LOOP	
CHECKED BY		DATE		SIZE	REV
JIMMY CHEN		2009/3/23		A3	X
DESIGNED BY		DATE		DRAWING NUMBER	
RD		2009/3		SF436-25MM	
SCALE		1:1		MATERIAL	SHEET
				PE	1/1

H

G

B

A